



Project:	Type:
Prepared By:	Date:

Technical Specifications

Listings

UL Listing:

Suitable for wet locations.

Electrical

Sockets:

Porcelain with all copper current carrying components and spring loaded center contact.

Construction

Swivels:

Fully adjustable with sure-grip locknuts. 1/2" NPS threaded arm with locking swivel fits all standard mounting covers.

Housings:

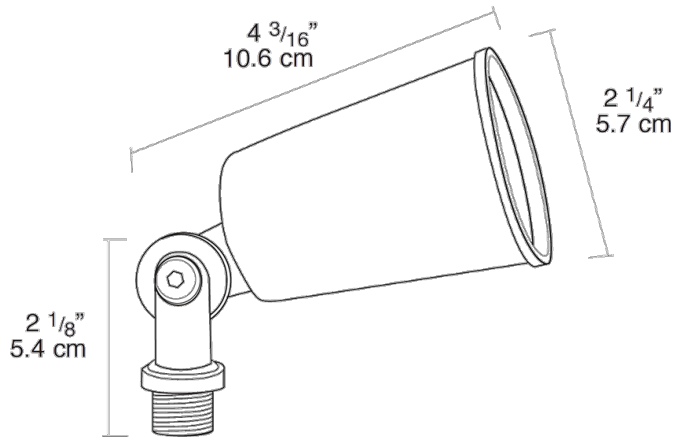
Precision die cast aluminum. Tuffy flood is molded plastic.

Optical

Lamp:

Medium base PAR38 lamps up to 150 watts. lamp not supplied.

Dimensions



Features

- Molded, high temperature silicone gasket
- EZ Grip locknut matches fixture finish and can be adjusted with fingers, pliers or a screwdriver
- Rugged heavy sand die cast aluminum housing with durable powder coating
- Sockets have all copper current carrying components
- Fully adjustable swivel with sure-grip locks
- Mounting arms have 1/2" threads