



Twin 75 Watt Quartz Bullet floods come pre-assembled and pre-wired on C103 Mounting plate. Lamps supplied.

Color: Bronze

Weight: 2.1 lbs

Project:	Type:
Prepared By:	Date:

Lamp Info		Ballast Info	
Type:	T-4	Type:	N/A
Watts:	75W	120V:	N/A
Shape/Size:	N/A	208V:	N/A
Base:	N/A	240V:	N/A
ANSI:	N/A	277V:	N/A
Hours:	1,500	Input Watts:	75W
Lamp Lumens:	1,500		
Efficacy:	20 LPW		

Technical Specifications

Listings

UL Listing:

Suitable for wet locations. Suitable for mounting within 1.2m (4ft) of the ground.

Construction

Housing:

Precision die cast aluminum, 1/2" NPS threaded arm with locking swivel and EZ Grip lock nut fits all standard mounting covers.

Lens Gasket:

High temperature silicone gasket stays in place during relamping.

Reflector:

Semi-specular anodized aluminum.

Lens:

Thick, tempered glass.

Finish:

Our environmentally friendly polyester powder coatings are formulated for high-durability and long-lasting color, and contains no VOC or toxic heavy metals.

Installation:

Twin 75w Flood Kit pre-assembled on C103 plate for easy installation.

Electrical

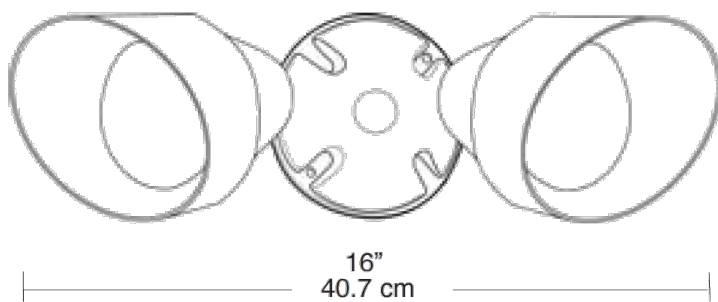
Sockets:

Porcelain bi-pin GY 8 base with gold plated contacts and 250° C socket wires.

Other

Replacement Lamps:

Dimensions



Features

Integra Hood Glare Shield minimizes side glare and hood can be rotated

Highest quality 120 volt quartz lamp included

Thick, tempered glass lens with silicone O-ring gasket

External and internal heat dissipating fins

Arm with locking teeth tightens securely with just finger pressure

Gold contacts prevent lamp and socket fusion due to electrolytic corrosion

Internal and external heat dissipating fins for cooler operation to extend lamp and fixture life