



LED pendant mounted fixture with precision optics for smooth and uniform distribution. Ideal for retail settings, workspace lighting and other applications requiring a high output commercial grade downlight.

Color: White

Weight: 18.0 lbs

<b>Project:</b>	<b>Type:</b>
<b>Prepared By:</b>	<b>Date:</b>

Driver Info		LED Info	
Type:	Constant Current	Watts:	78W
120V:	0.78A	Color Temp:	5000K
208V:	0.51A	Color Accuracy:	65 CRI
240V:	0.45A	L70 Lifespan:	100000
277V:	0.39A	Lumens:	5,130
Input Watts:	60W	Efficacy:	86 LPW
Efficiency:	N/A		

**Technical Specifications**

**Other**

**PLED78 with Bi-Level Operation:**

Allows 33%-66%-100% output modes.

**California Title 24:**

See PLED78/D10 for a 2013 California Title 24 compliant product. Any additional component requirements will be listed in the Title 24 section under technical specifications on the product page.

**Patents:**

The design of PLED78 is protected by patents pending in US, Canada, China, Taiwan and Mexico.

**Country of Origin:**

Designed by RAB in New Jersey and assembled in the USA by RAB's IBEW Local 3 workers.

**Buy American Act Compliant:**

This product is a COTS item manufactured in the United States, and is compliant with the Buy American Act.

**Recovery Act (ARRA) Compliant:**

This product complies with the 52.225-21 "Required Use of American Iron, Steel, and Manufactured Goods-- Buy American Act-- Construction Materials (October 2010).

**Trade Agreements Act Compliant:**

This product is a COTS item manufactured in the United States, and is compliant with the Trade Agreements Act.

**GSA Schedule:**

Suitable in accordance with FAR Subpart 25.4.

**Listings**

**UL Listing:**

Suitable for wet locations.

**Dark Sky Approved:**

The International Dark Sky Association has approved this product as a full cutoff, fully shielded luminaire.

**IESNA LM-79 & LM-80 Testing:**

RAB LED luminaires have been tested by an independent laboratory in accordance with IESNA LM-79 and LM-80, and have received the Department of Energy "Lighting Facts" label.

**LED Characteristics**

**Lifespan:**

100,000-hour LED lifespan based on IES LM-80 results and TM-21 calculations.

**LEDs:**

6x13W high-output, long-life LEDs.

**Color Consistency:**

7-step MacAdam Ellipse binning to achieve consistent fixture-to-fixture color.

**Color Stability:**

LED color temperature is warranted to shift no more than 200K in CCT over a 5 year period.

**Color Uniformity:**

RAB's range of CCT (Correlated Color Temperature) follows the guidelines of the American National Standard for Specifications for the Chromaticity of Solid State Lighting (SSL) Products, ANSI C78.377-2011.

**Electrical**

**Drivers:**

3x26W Driver, Constant Current, Class 2, 100V-277V, 50/60 Hz, 6kv Surge Protection, 720mA, 100-277VAC 0.4 Amps., THD is less than or equal to 20%, Power Factor 99.4%.

**Construction**

**Cold Weather Starting:**

Minimum starting temperature is -40°F/-40°C.

**Ambient Temperature:**

Suitable for use in 35°C (95°F) ambient temperatures.

**Thermal Management:**

Optimized using computational fluid dynamics software to ensure long LED and driver lifespan.

**Housing:**

Precision die-cast aluminum housing and lens frame.

**Lens:**

Clear tempered glass lens.

**Gaskets:**

High-temperature silicone

**Finish:**

Our environmentally friendly polyester powder coatings are formulated for high-durability and long-lasting color, and contains no VOC or toxic heavy metals.

**Green Technology:**

Mercury and UV free. RoHS compliant components. Polyester powder coat finish formulated without the use of VOC or toxic heavy metals.

**Optical**

**BUG Rating:**

B2 U1 G1

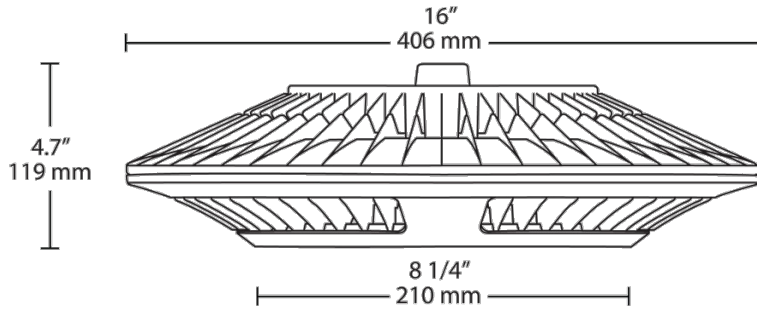
## Technical Specifications (continued)

### Optical

#### Photometrics:

IES file is available for 33% light level for Bi-Levels by contacting the RAB Lighting Design department.

### Dimensions



### Features

Precision optics deliver uniform light distribution

100,000-hour LED lifespan

5-year warranty