

# PLED2X26MSW



<b>Project:</b>	<b>Type:</b>
<b>Prepared By:</b>	<b>Date:</b>

<b>Driver Info</b>		<b>LED Info</b>	
Type:	Constant Current	Watts:	52W
120V:	0.48A	Color Temp:	5000K
208V:	N/A	Color Accuracy:	67 CRI
240V:	N/A	L70 Lifespan:	100000
277V:	N/A	Lumens:	5,519
Input Watts:	59W	Efficacy:	94 LPW
Efficiency:	89%		

## Technical Specifications

### Listings

#### UL Listing:

Suitable for damp locations.

#### IESNA LM-79 & IESNA LM-80 Testing:

RAB LED luminaires have been tested by an independent laboratory in accordance with IESNA LM-79 and LM-80, and have received the Department of Energy "Lighting Facts" label.

### LED Characteristics

#### Lifespan:

100,000-hour LED lifespan based on IES LM-80 results and TM-21 calculations.

#### LEDs:

(4) 13W Multi-chip high output, long-life LED.

#### Color Consistency:

7-step MacAdam Ellipse binning to achieve consistent fixture-to-fixture color.

#### Color Stability:

LED color temperature is warranted to shift no more than 200K in CCT over a 5 year period.

#### Color Uniformity:

RAB's range of CCT (Correlated color temperature) follows the guidelines of the American National Standard for Specifications for the Chromaticity of Solid State Lighting (SSL) Products, ANSI C78.377-2011.

#### Color Accuracy:

69CRI.

#### Color Temperature (Nominal CCT):

5000K

### Construction

#### Recommended Mounting Height:

8-10'.

#### Mounting:

3 mounting stems included. 6", 12" and 18" can be combined to achieve a maximum length of 36". 42" of wire supplied. The pendants thread into a hang-straight, leveling the fixture. Pendant outside diameter is 3/4". Threads are 1/4". Circular canopy included.

#### Thermal Management:

Cast aluminum Thermal Management system for optimal heat sinking. Designed for cool operation, most efficient output and maximum LED life by minimizing LED junction temperature.

#### Housing:

Precision die cast aluminum housing and lens framing.

#### Finish:

Our environmentally friendly polyester powder coatings are formulated for high-durability and long-lasting color, and contains no VOC or toxic heavy metals.

#### Green Technology:

Mercury and UV free. RoHS compliant components. Polyester powder coat finish formulated without the use of VOC or toxic heavy metals.

### Electrical

#### Drivers (2):

Constant Current, Class 2, 100V-277V, 50/60 Hz, 6kv Surge Protection, 720mA, 100-277VAC 0.8 Amps, THD less than equal to 20%, Power Factor 99.2%.

#### Voltage:

120 volts AC 60 Hz.

### Other

#### Patents:

RAB PLED2x26 are protected by patents in US pat. D634,879 CN ZL20103067978.

### Warranty:

RAB warrants that our LED products will be free from defects in materials and workmanship for a period of five (5) years from the date of delivery to the end user, including coverage of light output, color stability, driver performance and fixture finish.

#### California Title 24:

PLED complies with California Title 24 building and electrical codes.

#### Equivalency:

The PLED2X10 is Equivalent in delivered lumens to a 32W CFL Pendant.

#### HID Replacement Range:

The PLED2X10 can be used to replace 32-42W CFL, or up to 70W Metal Halide Pendants based on delivered lumens.

#### Equivalency:

The PLED2X26MS is equivalent in delivered lumens to a 175W MH Ceiling Fixture.

#### HID Replacement Range:

The PLED2X26MS can be used to replace 100-250W Metal Halide Ceiling Lights based on delivered lumens.

#### Country of Origin:

Designed by RAB in New Jersey and assembled in the USA by RAB's IBEW Local 3 workers.

#### Buy American Act Compliant:

This product is a COTS item manufactured in the United States, and is compliant with the Buy American Act.

**Technical Specifications (continued)**

**Other**

**Recovery Act (ARRA) Compliant:**

This product complies with the 52.225-21 "Required Use of American Iron, Steel, and Manufactured Goods-- Buy American Act-- Construction Materials (October 2010).

**Trade Agreements Act Compliant:**

This product is a COTS item manufactured in the United States, and is compliant with the Trade Agreements Act.

**GSA Schedule:**

Suitable in accordance with FAR Subpart 25.4.

**Optical**

**Fixture Efficacy:**

62 Lumens per Watt

**BUG Rating:**

B2 U1 G2

**Sensor Characteristics**

**Sensor Switching Capacity:**

5 Amps, 450 Watts LED @ 120 Volts 0.8pF Driver; 5 Amps, 300 Watts LED @ 120 Volts 0.5pF Driver.

**Sensor Time Adjustment:**

5 seconds to 15 minutes.

**Sensor Quick Test Time:**

5 second test time for fast installation. Works day or night.

**Sensor "No Hands" Auto Testing:**

Auto mode starts after 4 minutes of testing. No adjustment needed.

**Sensor Photoelectric Control:**

Deactivates lights during daylight. Fully adjustable for 24 hour operation or custom applications.

**Sensor LED Detection Indicator:**

LED glows red day & night for "on guard" deterrence.

**Sensor RF Immunity:**

Circuits fully shielded for maximum radio frequency immunity.

**Sensor Ratings:**

5 amps.

**Sensor Power Consumption:**

Negligible

**Sensor Manual Switch:**

None.

**Sensor Ambient Light Sensing:**

Adjustable.

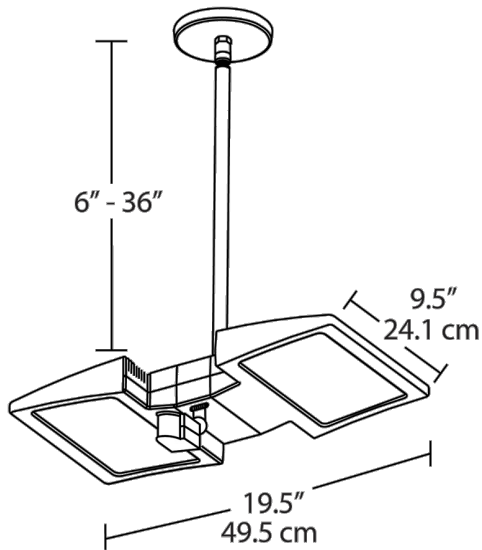
**Sensor Adjustments:**

Time, ambient light & sensitivity.

**Sensor Detection:**

180° detection pattern.

**Dimensions**



**Features**

- Reduce energy usage with motion sensor technology you can rely on
- LED combined with mini sensor for an all-in-one lighting solution
- Great for small spaces like utility closets and storage rooms
- 5 year warranty