



Industry-leading efficacy, incredible value. The low-cost floodlight family just upped its game. PIPXL™ - up to 16,600 lumens and 100W of affordable LED light.

Color: Bronze

Weight: 20.6 lbs

**Project:**

**Type:**

**Prepared By:**

**Date:**

#### Driver Info

Type: Constant Current  
 120V: N/A  
 208V: N/A  
 240V: N/A  
 277V: N/A  
 Input Watts: 109W  
 Efficiency: 92%

#### LED Info

Watts: 100W  
 Color Temp: 5000K  
 Color Accuracy: 78 CRI  
 L70 Lifespan: 60000  
 Lumens: 15496  
 Efficacy: 142 LPW

## Technical Specifications

### Listings

#### UL Listing:

Suitable for wet locations. Suitable for ground mounting.

#### IESNA LM-79 & LM-80 Testing:

RAB LED luminaires have been tested by an independent laboratory in accordance with IESNA LM-79 and LM-80, and have received the Department of Energy "Lighting Facts" label.

#### DLC Listed:

This product is listed by Design Lights Consortium (DLC) as an ultra-efficient premium product that qualifies for the highest tier of rebates from DLC Member Utilities.

DLC Product Code: PQ1EE8U3

### Electrical

#### Dimming Driver:

Driver includes dimming control wiring for 0-10V dimming systems. Requires separate 0-10V DC dimming circuit. Dims as low as 10%.

#### Surge Protection:

4kV

#### THD:

7.1% at 120V, 8.4% at 277V

### LED Characteristics

#### LEDs:

Long-life, high-efficiency surface mounting LEDs

#### Lifespan:

60,000-hour LED lifespan based on IES LM-80 results and TM-21 calculations.

#### Color Uniformity:

RAB's range of CCT (Correlated Color Temperature) follows the guidelines of the American National Standard for Specifications for the Chromaticity of Solid State Lighting (SSL) Products, ANSI C78.377-2015.

#### Replacement:

Replaces up to 400W Metal Halide.

### Optical

#### NEMA Type:

7H x 6V Beam Spread.

### Construction

#### IP Rating:

Ingress Protection rating of IP66 for dust and water

#### Thermal Management:

Superior thermal management with external "Air-Flow" fins.

#### Maximum Ambient Temperature:

Suitable for use in 104° F (40°C) ambient temperatures

#### Cold Weather Starting:

The minimum starting temperature is -22° F (-30° C).

#### Housing:

Precision die-cast aluminum housing.

#### Lens:

Two (2) clear acrylic lens with integrated optics

#### Mounting:

Heavy-duty Slip Fitter for 2 3/8"OD pipe.

#### Effective Projected Area:

EPA = 1.4

#### Gaskets:

High temperature silicone gaskets.

#### Green Technology:

Mercury and UV free. RoHS compliant components. Polyester powder coat finish formulated without the use of VOC or toxic heavy metals.

#### Finish:

Formulated for high-durability and long lasting color.

### Other

#### 5 Yr Limited Warranty:

RAB warrants fixture operation and paint finish for a period of 5 years.

#### Country of Origin:

Designed by RAB in New Jersey and assembled in the USA by RAB's IBEW Local 3 workers.

#### Buy American Act Compliant:

This product is a COTS item manufactured in the United States, and is compliant with the Buy American Act.

#### Recovery Act (ARRA) Compliant:

This product complies with the 52.225-21 "Required Use of American Iron, Steel, and Manufactured Goods-- Buy American Act-- Construction Materials (October 2010).

## Technical Specifications (continued)

### Other

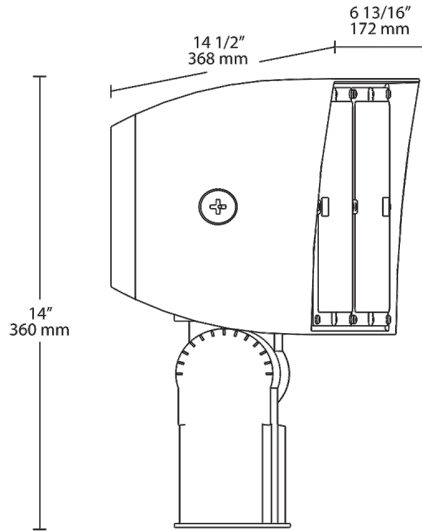
#### Trade Agreements Act Compliant:

This product is a COTS item manufactured in the United States, and is compliant with the Trade Agreements Act.

### GSA Schedule:

Suitable in accordance with FAR Subpart 25.4.

## Dimensions



## Features

- Ultra-high efficiency
- DLC Premium
- 0-10V Dimming, standard
- 60,000-Hour LED lifespan
- 5-Year limited warranty

## Ordering Matrix

| Family | Watts                  | Mount                           | Color Temp  | Finish                      | Driver   | Options  |
|--------|------------------------|---------------------------------|---|-----------------------------|--|--|
| PIPXL  | 100                    | SF                              |   |                             | /480/D10   |  |
|        | 100 = 100W<br>70 = 70W | SF = Slipfitter<br>T = Trunnion | Blank = 5000K (Cool)<br>N = 4000K (Neutral)<br>Y = 3000K (Warm) | Blank = Bronze<br>W = White | /D10 = Dimmable 120-277V<br>/480/D10 = Dimmable 480V | Blank = No Options<br>/PCU = 120-277V Button Photocell<br>/PCT = 120-277V Twistlock photocell<br>/PCT4 = 480V Twistlock photocell<br>/7PR = 7-Pin Receptacle<br>/BL = Bi-Level<br>/LC = Lightcloud |