



Die-cast aluminum trim cone with high-efficiency TIR optics.

Color: Black

Weight: 0.7 lbs

| | |
|---------------------|--------------|
| Project: | Type: |
| Prepared By: | Date: |

| Driver Info | | LED Info | |
|--------------|-----------------|-----------------|---------------|
| Type: | Sold Separately | Watts: | 0W |
| 120V: | See Rough-in* | Color Temp: | N/A |
| 208V: | See Rough-in* | Color Accuracy: | N/A |
| 240V: | See Rough-in* | L70 Lifespan: | See Rough-In* |
| 277V: | See Rough-in* | Lumens: | N/A |
| Input Watts: | 0W | Efficacy: | N/A |
| Efficiency: | N/A | | |

Technical Specifications

Listings

UL Listing:

Suitable for damp locations

Optical

Photometrics:

Photometrics are based on prorated reports. Contact the RAB Lighting Design department for the most up-to-date data.

Optics:

High-efficiency TIR optics available as a trimless adjustable 20° beam with 40° vertical adjustment and 360° rotation downlight. Optic and trim cone included.

Construction

Trim Component:

This component must be ordered with New Construction Rough-In in order to make a complete fixture.

Trim Cone:

Black round trim cone, die-cast aluminum.

Trim:

Trimless

Installation:

Nailer bar and butterfly brackets included; C-channels optional for acoustic tiles

Green Technology:

Mercury and UV free. RoHS compliant components.

Other

Aperture Size:

3" Trim Module

Warranty:

RAB warrants that our LED products will be free from defects in materials and workmanship for a period of five (5) years from the date of delivery to the end user, including coverage of light output, color stability, driver performance and fixture finish.

Country of Origin:

Designed by RAB in New Jersey and assembled in the USA by RAB's IBEW Local 3 workers.

Buy American Act Compliant:

This product is a COTS item manufactured in the United States, and is compliant with the Buy American Act.

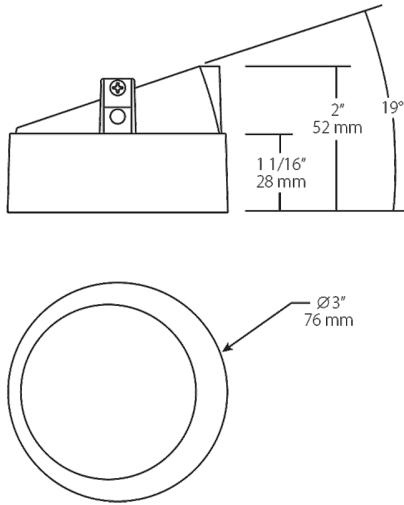
Recovery Act (ARRA) Compliant:

This product complies with the 52.225-21 "Required Use of American Iron, Steel, and Manufactured Goods-- Buy American Act-- Construction Materials (October 2010).

GSA Schedule:

Suitable in accordance with FAR Subpart 25.4.

Dimensions



Features

- Durable die-cast aluminum
- High-efficiency TIR optics
- Optic and trim included

Ordering Matrix

| Family | Size | Shape | Optics | Color | Trim |
|--------|--------|-----------|--|---|--|
| NDTRIM | 3 | R | 20A | B | TL |
| | 3 = 3" | R = Round | 80 = 80° Downlight 50 = 50° Downlight 40A = 40° Adjustable 20A = 20° Adjustable W = Wall Washer | B = Black W = White M = Matte Silver | Blank = Trimmed TL = Trimless |