



High-performance LED downlight module for use with RAB new construction rough-in. Microprismatic diffusion lens optimizes lumen output and delivers smooth, uniform illumination that enhances any space.

Color: Matte silver cone silver trim

Weight: 2.0 lbs

**Project:**

**Type:**

**Prepared By:**

**Date:**

#### Driver Info

Type: See Rough-in\*  
 120V: See Rough-in\*  
 208V: See Rough-in\*  
 240V: See Rough-in\*  
 277V: See Rough-in\*  
 Input Watts: See Rough-in\*  
 Efficiency: N/A

#### LED Info

Watts: 20W or 26W\*  
 Color Temp: 3000K  
 Color Accuracy: 80 CRI  
 L70 Lifespan: 100000  
 Lumens: 20W:1722\*  
 26W:2298\*  
 Efficacy: N/A

## Technical Specifications

### Listings

#### UL Listed:

Suitable for wet locations covered ceiling.

#### ENERGY STAR:

This product is ENERGY STAR® qualified.

### Optical

#### Photometrics:

Photometrics are based on prorated reports. Contact the RAB Lighting Design department for the most up-to-date data.

#### Optics:

Wall wash optics engineered for wide lateral distribution and smooth soft light from ceiling to floor.

### Construction

#### Trim Component:

This component must be ordered with New Construction Round Rough-In in order to make a complete fixture.

#### Housing:

Professional-grade, die-cast aluminum construction.

#### Trim Ring:

Silver powder coated die cast trim ring.

#### Trim Cone:

Matte silver round trim cone.

#### Drop Ceiling Installation:

NDLED can be installed in drop ceiling tiles when using optional c-channel bars and following local construction codes.

#### Aperture Size:

6" Trim Module.

#### Easy Installation:

The EZ-Connector makes installation easy.

#### Junction Box:

Integral junction box with wiring capacity for Min 90°C supply conductors  
 4 in 4 out

### Electrical

#### Dimming:

Dimmable. Requires rough-in with dimming driver.

#### Dimming Driver:

0 - 10V (at 120-277V), TRIAC and ELV (at 120V only).

### Other

#### Air Tight:

Housing certified Air Tight as per ASTM E283

#### California Title 24:

NDLED6R complies with 2013 California Title 24 building and electrical codes as a residential indoor fixture and commercial indoor fixture for general spaces.

#### Warranty:

RAB warrants that our LED products will be free from defects in materials and workmanship for a period of five (5) years from the date of delivery to the end user, including coverage of light output, color stability, driver performance and fixture finish.

#### Country of Origin:

Designed by RAB in New Jersey and assembled in the USA by RAB's IBEW Local 3 workers.

#### Buy American Act Compliant:

This product is a COTS item manufactured in the United States, and is compliant with the Buy American Act.

#### Recovery Act (ARRA) Compliant:

This product complies with the 52.225-21 "Required Use of American Iron, Steel, and Manufactured Goods-- Buy American Act-- Construction Materials (October 2010).

#### Trade Agreements Act Compliant:

This product is a COTS item manufactured in the United States, and is compliant with the Trade Agreements Act.

#### GSA Schedule:

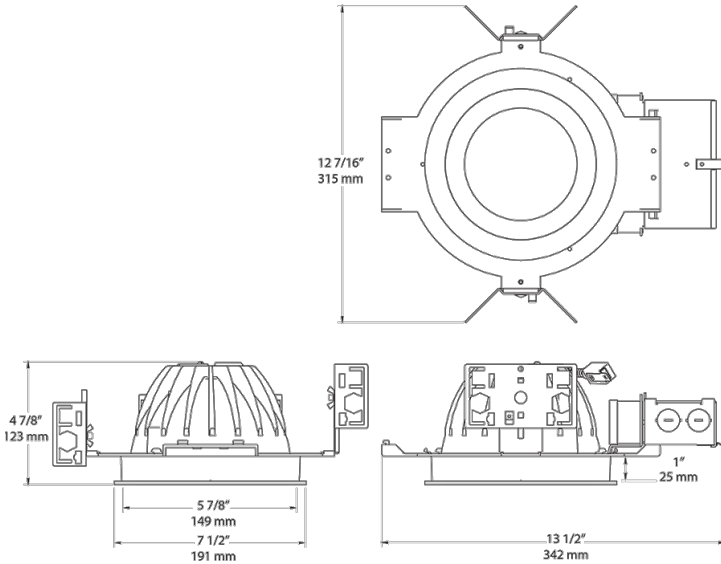
Suitable in accordance with FAR Subpart 25.4.

### LED Characteristics

#### Color Consistency:

3-step MacAdam Ellipse binning to achieve consistent fixture-to-fixture color.

## Dimensions



## Features

- Butterfly bracket allows mounting with bar stock, "C" channel, 1/2" conduit or nailer bars
- Low-profile design allows for installation in ceilings with limited space
- Absolute White 3-step consistency and black body accurate
- Nanostructure lens eliminates "hot spots" providing smooth and efficient light
- Available with 82 or 92 CRI

## Ordering Matrix

Family	Size	Shape	Driver	Beam Spread	Color Temp	CRI	Cone Color	Trim Color
NDLED	6	R	D	W	Y		M	S
	6 = 6"	R = Round	D = Universal Dimming	50 = 50° 80 = 80° W = Wall Washer	YY = 2700K (Residential Warm) Y = 3000K (Warm) YN = 3500K (Warm Neutral) N = 4000K (Neutral)	Blank = 82 CRI HC = 92 CRI	S = Silver M = Matte Silver W = White B = Black	S = Silver W = White B = Black