

Easy to install 2" new construction deep regress rough-in for use with RDDLED2 trims. The Remodeler Trim component must be ordered with the New Construction Housing in order to make a complete fixture. Available in flush trim for a trimless look without the mess left behind from ceiling finishing work.

Color: Natural

Weight: 1.6 lbs

Project:	Type:
Prepared By:	Date:

Driver Info		LED Info	
Type:	N/A	Watts:	0W
120V:	N/A	Color Temp:	Sold
208V:	N/A	Color Accuracy:	N/A
240V:	N/A	L70 Lifespan:	N/A
277V:	N/A	Lumens:	N/A
Input Watts:	0W	Efficacy:	N/A
Efficiency:	N/A		

Technical Specifications

Listings

UL Listed:

Suitable for wet locations in a covered ceiling

ENERGY STAR® V2.0:

This product is ENERGY STAR® Version 2.0 Certified.

Construction

IC Rating:

Suitable for direct contact with insulation

Housing Component:

This component must be ordered with the 2 inch deep regress downlights trim in order to make a complete fixture.

Housing:

Professional-grade, heavy-gauge steel construction with 1/2" trim.

Mounting:

Housing includes nailer bars and butterfly brackets. Brackets also accommodate mounting with 1/4" to 1/2" bar stock, C channel or 1/2" conduit.

Junction Box:

Integral junction box with wiring capacity for Min 60°C supply conductors
End of Run

Easy Installation:

Ceiling clamps install quickly and hold housing securely. Clamp ceilings from 1/2" to 2 1/2" thick, with course and fine adjustments.

Other

Air Tight:

Housing certified Air Tight as per ASTM E283

Trim:

1/2" trim

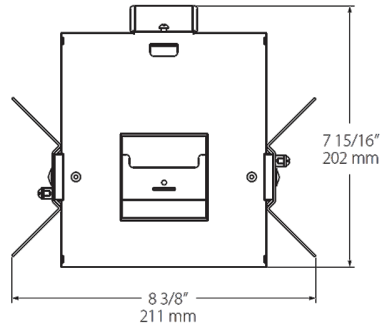
Warranty:

RAB warrants that our LED products will be free from defects in materials and workmanship for a period of five (5) years from the date of delivery to the end user, including coverage of light output, color stability, driver performance and fixture finish.

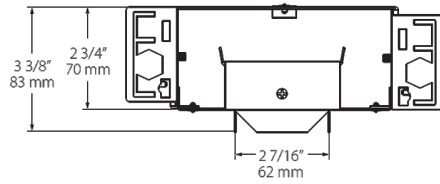
Buy American Act Compliance:

RAB values USA manufacturing! Upon request, RAB may be able to manufacture this product to be compliant with the Buy American Act (BAA). Please contact customer service to request a quote for the product to be made BAA compliant.

Dimensions



With/Without Trim



Features

- 10W replaces 75W MR16
- Universal dimming (TRIAC, ELV and 0-10V) for optimal light control
- Deep regress design improves visual cutoff and reduces glare

Ordering Matrix

Family	Size/Shape	Trim Style
ND	2S	T
	2R = 2" Round	T = 1/2" Trim
	2S = 2" Square	TL = Trimless