



Project:	Type:
Prepared By:	Date:

Technical Specifications

Listings

UL Listing:

Suitable for damp locations

Construction

Housing Component:

This component must be ordered with the Multi-Head gear tray in order to make a complete fixture.

Housing:

Professional-grade, heavy-gauge steel construction with 1 1/4" spackle flange for trimless installation and three adjustment heights for gear trays.

Mounting:

Housing includes nailer bars and butterfly brackets. Brackets also accommodate mounting with 1/4" to 1/2" bar stock, C channel or 1/2" conduit.

Easy Installation:

Ceiling clamps install quickly and hold housing securely. Clamp ceilings from 1/2" to 2 1/2" thick with course and fine adjustments.

Other

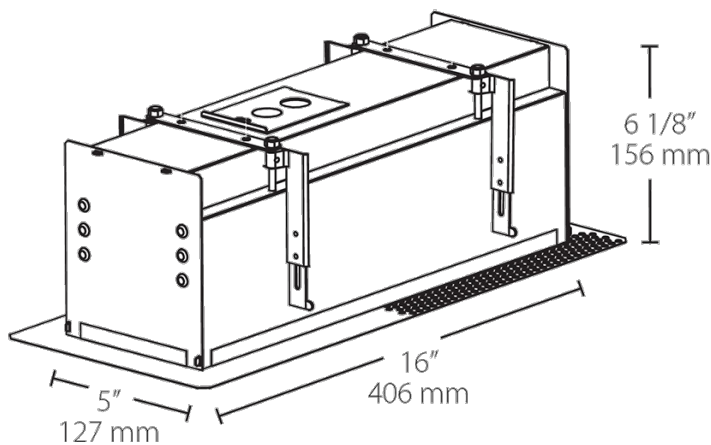
Trim:

Trimless

Warranty:

RAB warrants that our LED products will be free from defects in materials and workmanship for a period of five (5) years from the date of delivery to the end user, including coverage of light output, color stability, driver performance and fixture finish.

Dimensions



Features

Adjustable clamps for quick, secure installation

Accommodates ceilings 1/2" - 2 1/2" thick