



Die cast aluminum wiring box with weatherproof gasket, ground screw, and two sturdy lugs for wall or ceiling mounting.

Color: Natural

Weight: 0.6 lbs

<b>Project:</b>	<b>Type:</b>
<b>Prepared By:</b>	<b>Date:</b>

**Technical Specifications**

**Listings**

**UL Listing:**

Suitable for wet locations.

**Other**

**Box Material:**

Precision die cast aluminum.

**Construction**

**Gasket:**

1/8" thick closed cell EPDM Foam for long lasting seal that won't crumple or break.

**Screws:**

10-24 Stainless steel Round Head Phillips/slotted.

**Gasket:**

1/8" thick closed cell silicone rubber.

**Ground Screw:**

# 10-24 Green corrosion protected steel slotted washer head screw provided in pre-tapped hole

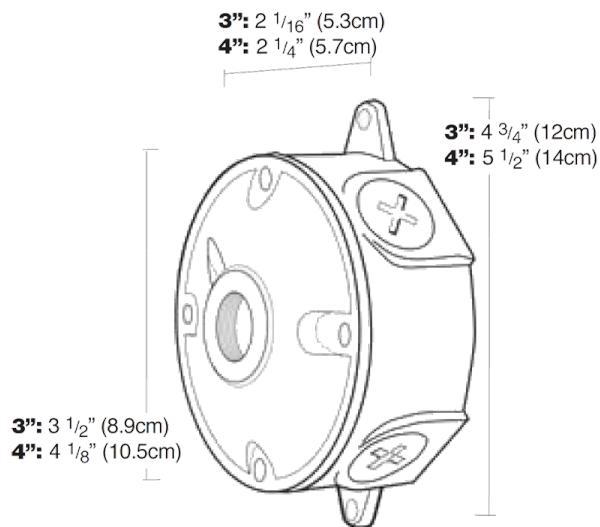
**Box Diameter:**

3".

**Side Holes:**

4 holes with 1/2" thread size.

**Dimensions**



**Features**

- Stainless steel screws
- Green hex slotted washer head ground screw in pre-tapped hole
- Heavy die cast aluminum
- Close-up plugs allow Phillips or slotted screwdrivers for easy installation
- 1/8" thick weatherseal gasket is closed cell foam rubber for long lasting seal that won't crumble or break