



Die cast aluminum wiring box with weatherproof gasket, ground screw, and two sturdy lugs for wall or ceiling mounting.

Color: Natural

Weight: 0.6 lbs

<b>Project:</b>	<b>Type:</b>
<b>Prepared By:</b>	<b>Date:</b>

## Technical Specifications

### Listings

#### UL Listing:

Suitable for wet locations.

#### Other

#### Box Material:

Precision die cast aluminum.

#### Buy American Act Compliant:

This product is a COTS item manufactured in the United States, and is compliant with the Buy American Act.

#### Recovery Act (ARRA) Compliant:

This product complies with the 52.225-21 "Required Use of American Iron, Steel, and Manufactured Goods-- Buy American Act-- Construction Materials (October 2010).

#### Trade Agreements Act Compliant:

This product is a COTS item manufactured in the United States, and is compliant with the Trade Agreements Act.

#### GSA Schedule:

Suitable in accordance with FAR Subpart 25.4.

#### Construction

##### Gasket:

1/8" thick closed cell EPDM Foam for long lasting seal that won't crumple or break.

##### Screws:

10-24 Stainless steel Round Head Phillips/slotted.

##### Gasket:

1/8" thick closed cell silicone rubber.

##### Ground Screw:

# 10-24 Green corrosion protected steel slotted washer head screw provided in pre-tapped hole

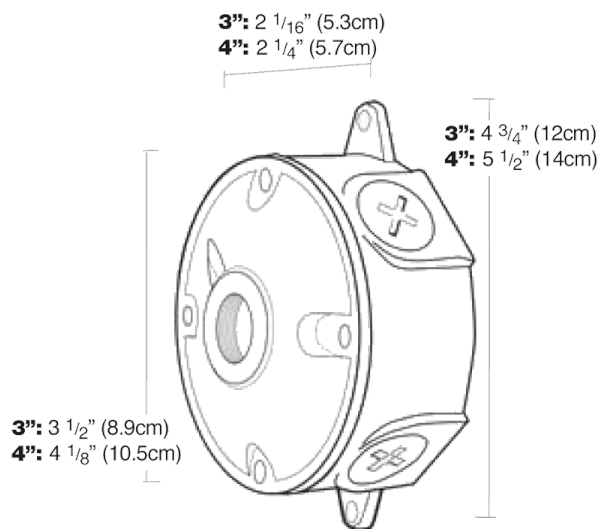
##### Box Diameter:

3".

##### Side Holes:

4 holes with 3/4" thread size.

## Dimensions



## Features

- Stainless steel screws
- Green hex slotted washer head ground screw in pre-tapped hole
- Heavy die cast aluminum
- Close-up plugs allow Phillips or slotted screwdrivers for easy installation
- 1/8" thick weatherseal gasket is closed cell foam rubber for long lasting seal that won't crumple or break