



Die cast aluminum wiring box with weatherproof gasket, ground screw, and two sturdy lugs for wall or ceiling mounting. Die cast aluminum cover without center hole supplied with 4 stainless steel screws.

Color: Natural

Weight: 0.6 lbs

<b>Project:</b>	<b>Type:</b>
<b>Prepared By:</b>	<b>Date:</b>

## Technical Specifications

### Listings

#### UL Listing:

Suitable for wet locations.

#### Other

#### Box Material:

Precision die cast aluminum.

#### Construction

#### Gasket:

1/8" thick closed cell EPDM Foam for long lasting seal that won't crumple or break.

#### Screws:

10-24 Stainless steel Round Head Phillips/slotted.

#### Gasket:

1/8" thick closed cell silicone rubber.

#### Ground Screw:

# 10-24 Green corrosion protected steel slotted washer head screw provided in pre-tapped hole

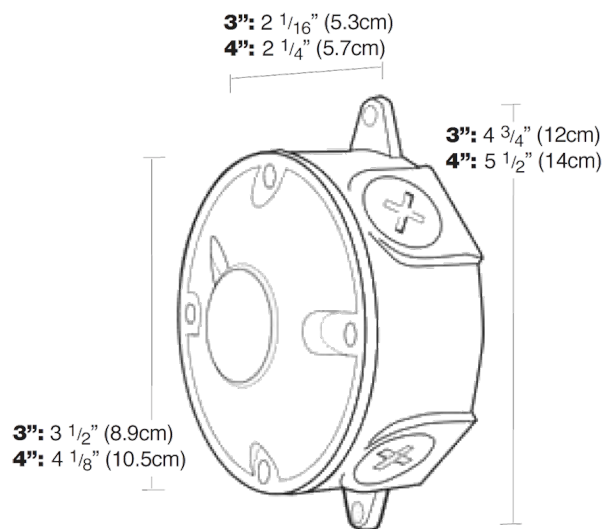
#### Box Diameter:

3".

#### Side Hole Thread Size:

4 holes with 1/2" thread size.

## Dimensions



## Features

- Stainless steel screws
- Green hex slotted washer head ground screw in pre-tapped hole
- Heavy die cast aluminum
- Close-up plugs allow Phillips or slotted screwdrivers for easy installation
- 1/8" thick weatherseal gasket is closed cell foam rubber for long lasting seal that won't crumple or break