



Specification grade area lights available in IES Type II distributions. For use in parking lots, roadways, pathways and general area lighting. Best-in-class 5-G vibration rating. 5-year warranty.

Color: Bronze

Weight: 20.9 lbs

|                     |              |
|---------------------|--------------|
| <b>Project:</b>     | <b>Type:</b> |
| <b>Prepared By:</b> | <b>Date:</b> |

| Driver Info  |                  | LED Info        |         |
|--------------|------------------|-----------------|---------|
| Type:        | Constant Current | Watts:          | 110W    |
| 120V:        | N/A              | Color Temp:     | 3000K   |
| 208V:        | N/A              | Color Accuracy: | 72 CRI  |
| 240V:        | N/A              | L70 Lifespan:   | 100000  |
| 277V:        | N/A              | Lumens:         | 12,110  |
| Input Watts: | 114W             | Efficacy:       | 106 LPW |
| Efficiency:  | 96%              |                 |         |

**Technical Specifications**

**Listings**

**UL Listing:**

Suitable for wet locations.

**IESNA LM-79 & IESNA LM-80 Testing:**

RAB LED luminaires have been tested by an independent laboratory in accordance with IESNA LM-79 and 80, and have received the Department of Energy "Lighting Facts" label.

**Dark Sky Approved:**

Conforms to the requirements listed by the International Dark-Sky Association for "Dark Sky" approval. The Fixture Seal of Approval provides objective, third-party certification for luminaires that minimize glare, reduce light trespass, and don't pollute the night sky.

**Electrical**

**Driver:**

Constant Current, Class 2, 480V, 50/60 Hz, 480V: 0.26A

**Photocell:**

480V Twistlock Photocell Included. Photocell is only compatible with 480V.

**THD:**

14.2% at 480V

**Power Factor:**

92.3% at 480V

**Dimming Driver:**

Driver includes dimming control wiring for 0-10V dimming systems. Requires separate 0-10V DC dimming circuit. Dims as low as 10%.

**Surge Protection:**

4kV

**Optical**

**Lifespan:**

100,000-hour LED lifespan based on IES LM-80 results and TM-21 calculations.

**Construction**

**IES Classification:**

The Type II distribution is meant for lighting large areas, located by the roadside. Typically found on wide walkways, on ramps, entrance roadways and bike paths.

**Effective Projected Area:**

EPA = 0.8

**Vibration Rating:**

Industry-leading 5G vibration rating per ANSI C136.31.

**Cold Weather Starting:**

Minimum starting temperature is -40° F (-40° C)

**Ambient Temperature:**

Suitable for use in 104° F (40° C) ambient temperatures.

**Housing:**

Precision die-cast aluminum housing.

**Mounting:**

Mounts to RAB square poles. Mounts to all square and round poles if optional Universal Pole Adaptor is used.

**Lens:**

Clear acrylic lens with integrated optics

**IP Rating:**

Ingress Protection rating of IP66 for dust and water

**Gaskets:**

High temperature silicone gaskets.

**Finish:**

Formulated for high-durability and long lasting color.

**Green Technology:**

Mercury and UV free. RoHS compliant components. Polyester powder coat finish formulated without the use of VOC or toxic heavy metals.

**For use on LEED Buildings:**

IDA Dark Sky Approval means that this fixture can be used to achieve LEED Credits for Light Pollution Reduction.

**LED Characteristics**

**LEDs:**

Long-life, high-efficiency surface mount LEDs

**Color Stability:**

LED color temperature is warrantied to shift no more than 200K in CCT over a 5 year period.

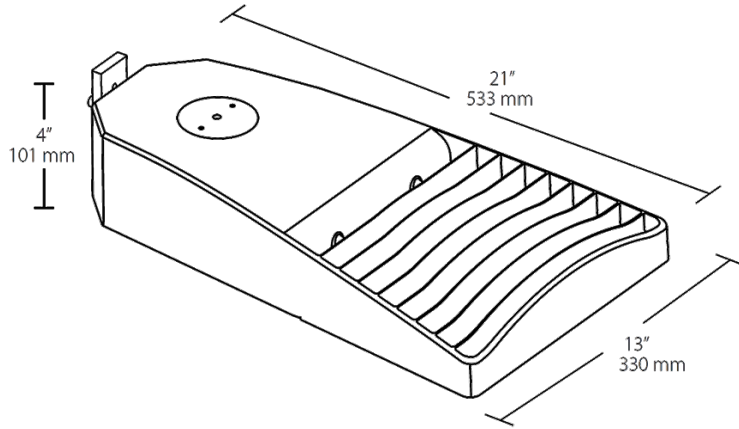
**Color Uniformity:**

RAB's range of CCT (Correlated Color Temperature) follows the guidelines of the American National Standard for Specifications for the Chromaticity of Solid State Lighting (SSL) Products, ANSI C78.377-2015.

**Technical Specifications (continued)**

|   |   |   |
|---|---|---|
| <p><b>Other</b></p> <p><b>5 Yr Limited Warranty:</b><br/>Fixture operation and paint finish are covered for a period of 5 years.</p> <p><b>Replacement:</b><br/>Replaces up to 250W Metal Halide.</p> | <p><b>Country of Origin:</b><br/>Designed by RAB in New Jersey and assembled in the USA by RAB's IBEW Local 3 workers.</p> <p><b>Buy American Act Compliant:</b><br/>This product is a COTS item manufactured in the United States, and is compliant with the Buy American Act.</p> | <p><b>Recovery Act (ARRA) Compliant:</b><br/>This product complies with the 52.225-21 "Required Use of American Iron, Steel, and Manufactured Goods-- Buy American Act-- Construction Materials (October 2010).</p> <p><b>GSA Schedule:</b><br/>Suitable in accordance with FAR Subpart 25.4.</p> |
|---|---|---|

**Dimensions**



**Features**

- Lightweight design and low EPA minimize pole load
- Best-in-class 5-G vibration rating
- 100,000-hour LED lifespan
- 5-year warranty

**Ordering Matrix**

| Family | IES Type     | Wattage                              | Color Temp  | Finish                      | Driver Options  | Mounting  | Sensor Options  | Accessories                                |
|--------|--------------|--------------------------------------|---|-----------------------------|---|---|---|--|
| LOT    | 2T           | 110                                  | Y   |                             | /480/D10  |   | /PCT4   |  |
|        | 2T = Type II | 160 = 160W<br>110 = 110W<br>65 = 65W | Blank = 5000K (Cool)<br>N = 4000K (Neutral)<br>Y = 3000K (Warm) | Blank = Bronze<br>W = White | /D10 = 120-277V, 0-10V Dimming (standard)<br>/480/D10 = 480V, 0-10V Dimming | Blank = Mounts to RAB square poles<br>/UPA = Universal Pole Adaptor | Blank = None<br>/PCT = 120-277V Twistlock PC<br>/PCT4 = 480V Twistlock PC<br>/WS2 = Wattstopper Sensor + 20ft lens, 120-277V<br>/WS4 = Wattstopper Sensor + 40ft lens, 120-277V<br>/5PR = 5-Pin Receptacle, no PCT<br>/7PR = 7-Pin Receptacle, no PCT<br>/BL = Bi-Level Dimming, 120-277V | Blank = None<br>/HS = 2 House-Side-Shields |