



Same small package. Bigger output. Replaces 50W MR16 Floodlight.  
Color: Black Weight: 1.5 lbs

<b>Project:</b>	<b>Type:</b>
<b>Prepared By:</b>	<b>Date:</b>

Driver Info		LED Info	
Type:	Constant Current	Watts:	8W
120V:	0.14	Color Temp:	4800K
208V:	0.09	Color Accuracy:	81 CRI
240V:	0.08	L70 Lifespan:	N/A
277V:	N/A	Lumens:	588
Input Watts:	7W	Efficacy:	82 LPW
Efficiency:	N/A		

**Technical Specifications**

**Listings**

**UL Listing:**

Suitable for wet locations. Suitable for ground mounting.

**IESNA LM-79 & IESNA LM-80 Testing:**

RAB LED luminaires have been tested by an independent laboratory in accordance with IESNA LM-79 and 80, and have received the Department of Energy "Lighting Facts" label.

**LED Characteristics**

**LED:**

High-output, long-life LED

**Color Consistency:**

4-step MacAdam Ellipse binning to achieve consistent fixture-to-fixture color.

**Color Stability:**

LED color temperature is warrantied to shift no more than 200K in CCT over a 5 year period.

**Color Uniformity:**

RAB's range of CCT (Correlated Color Temperature) follows the guidelines of the American National Standard for (SSL) Products, ANSI C78.377-2015.

**Electrical**

**Driver:**

Constant Current, Class 2, 50/60 Hz, 100-240VAC: 0.20Amps

**Optical**

**Spot Lens:**

Optional spot lens enables a tool-less conversion to a NEMA Type 3H x 3V. Great for accent lighting or grazing buildings for an artistic touch.

**Narrow Spot Lens:**

Optional narrow spot lens enables a tool-less conversion to a NEMA Type 3H x 2V. Great for accent lighting or grazing buildings for an artistic touch.

**Construction**

**Cold Weather Starting:**

Minimum starting temperature is -40°F/-40°C.

**Ambient Temperature:**

Suitable for 40°C (104°F) ambient temperatures

**Thermal Management:**

Optimized using computational fluid dynamics software to ensure long LED and driver lifespan

**Housing:**

Precision die-cast aluminum, lens frame and mounting arm

**Lens:**

Microprismatic diffuser produces a smooth distribution and low glare.

**Gaskets:**

High temperature silicone

**Finish:**

Our environmentally friendly polyester powder coatings are formulated for high-durability and long-lasting color, and contains no VOC or toxic heavy metals

**Green Technology:**

Mercury and UV free. RoHS compliant components. Polyester powder coat finish formulated without the use of VOC or toxic heavy metals.

**Other**

**Equivalency:**

The LFLED8 is equivalent in delivered lumens to a 50W MR16.

**Warranty:**

RAB warrants that our LED products will be free from defects in materials and workmanship for a period of five (5) years from the date of delivery to the end user, including coverage of light output, color stability, driver performance and fixture finish.

**California Title 24:**

LFLED8 complies with 2013 California Title 24 building and electrical codes as a commercial outdoor non-pole-mounted fixture < 30 Watts when used with a photosensor control. Select catalog number PCS900(120V) or PCS900/277 to order a photosensor.

**Patents:**

The design of the LFLED is protected by Taiwan Patent 01510966 and pending patents in US, Canada, China, and Mexico.

**Buy American Act Compliant:**

This product is a COTS item manufactured in the United States, and is compliant with the Buy American Act.

**Recovery Act (ARRA) Compliant:**

This product complies with the 52.225-21 "Required Use of American Iron, Steel, and Manufactured Goods-- Buy American Act-- Construction Materials (October 2010).

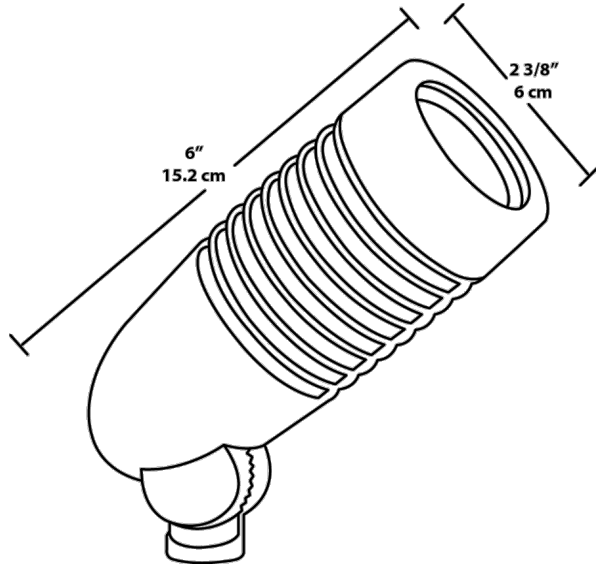
**Trade Agreements Act Compliant:**

This product is a COTS item manufactured in the United States, and is compliant with the Trade Agreements Act.

**GSA Schedule:**

Suitable in accordance with FAR Subpart 25.4.

## Dimensions



## Features

- Microprismatic diffuser produces a smooth distribution and low glare
- 4H x 4V NEMA beam spread
- Optional spot and narrow spot hood reflectors available
- Runs cool; prevents burning foliage or fingers
- 5-year warranty

## Ordering Matrix

Family	Watts	Color Temp	Finish
LFLED	8 = 8W	<b>Blank</b> = 5000K (Cool) <b>Y</b> = 3000K (Warm) <b>N</b> = 4000K (Neutral)	<b>A</b> = Bronze <b>W</b> = White <b>B</b> = Black <b>VG</b> = Verde Green