



Rugged die cast floodlight with heavy mounting arm, lens, glare shield and weatherproof silicone gasket. 75 Watt max., accepts lamp types PAR16, PAR20 and R type. 120 volt Lamp not supplied.

Color: Verde green

Weight: 1.8 lbs

Project:	Type:
Prepared By:	Date:

Lamp Info		Ballast Info	
Type:	PAR20	Type:	N/A
Watts:	75W	120V:	N/A
Shape/Size:	N/A	208V:	N/A
Base:	N/A	240V:	N/A
ANSI:	N/A	277V:	N/A
Hours:	2,500	Input Watts:	0W
Lamp Lumens:	550		
Efficacy:	N/A		

Technical Specifications

Listings

UL Listing:

Suitable for wet locations. Suitable for mounting within 1.2m (4ft) of the ground.

Construction

Swivels:

1/2" NPS threaded arm with serrated locking swivel fits all standard mounting boxes. EZ Grip locknuts color matched to fixture.

Housings:

Precision die cast aluminum.

Electrical

Watts:

75

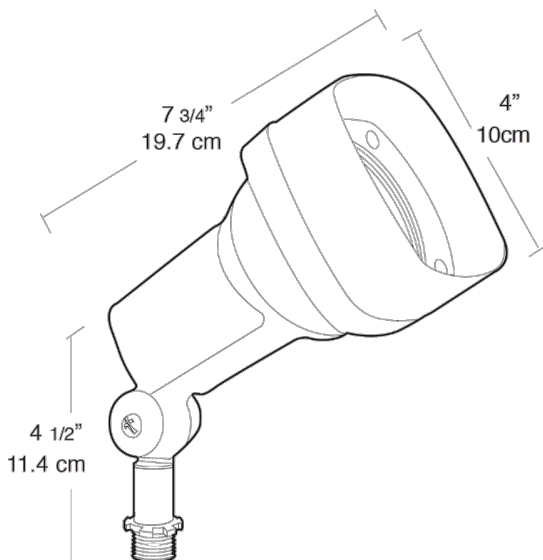
Voltage:

120

Sockets:

Medium base porcelain with all copper current carrying components and spring loaded center contact.

Dimensions



Features

Rugged die cast aluminum housing with polyester powder coat finish

Deep Glare Shield

weatherproof lens and gasket

"O" Ring seal for full weather protection

No-rust brass & stainless steel external hardware

Rugged mounting arm has 1/2" threads and pivots 180

EZ Grip locknuts are color matched to fixture and can be tightened with fingers, pliers or screwdriver