

IVGT5U-70L750WU/WSE2



Color: White

Weight: 0.0 lbs

Project:	Type:
Prepared By:	Date:

Driver Info		LED Info	
Type:	Constant Current	Watts:	69W
120V:	0.54A	Color Temp:	N/A
208V:	0.31A	Color Accuracy:	N/A
240V:	0.27A	L70 Lifespan:	N/A
277V:	0.23A	Lumens:	7,730
Input Watts:	68W	Efficacy:	113 LPW
Efficiency:	N/A		

Technical Specifications

Listings

UL Listing:

Suitable for wet locations

Title 24 Compliant:

An IVEPARK edgelit garage fixture with a WS2 control option can be used to comply with 2016 Title 24 Part 6 Section 130.2 (a,b,c)

IESNA LM-79 & IESNA LM-80 Testing:

RAB LED luminaires and LED components have been tested by an independent laboratory in accordance with IESNA LM-79 and LM-80.

Electrical

THD:

6.29% at 120V, 7.21% at 277V

Power Factor:

99.7% at 120V, 97.1% at 277V

Driver:

Class 2, 50/60Hz, 120-277V, 4kV standard, 10kV optional

Dimming Driver:

Driver includes dimming control wiring for 0-10V dimming systems. Requires separate 0-10V DC dimming circuit. Dims as low as 10%.

Battery Backup:

Battery backup will operate the LED Lamp for 90 minutes if power fails. Wired for 120V-277V.

LED Characteristics

LEDs:

Long-life, High efficiency, micro-power, surface mount LEDs

Lifespan:

Up to 100,000-hour LED lifespan based on IES LM-80 results and TM-21 calculations

Color Stability:

LED color temperature is warranted to shift no more than 200K in CCT over a 5 year period

Color Uniformity:

RAB's range of CCT (Correlated Color Temperature) follows the guidelines of the American National Standard for Specifications for the Chromaticity of Solid State Lighting (SSL) Products, ANSI C78.377-2017.

Construction

IP Rating:

Ingress Protection rating of IP66 for dust and water

Cold Weather Starting:

The minimum starting temperature is -20°C (-4°F)

Maximum Ambient Temperature:

Suitable for use in 40°C (104°F)

Housing:

Polycarbonate and aluminum housing

Mounting:

Surface mount standard (accessories available for wall, pole and trunnion mount)

Lens:

Diffused Polymethyl Methacrylate (PMMA)

Finish:

Formulated for high-durability and long lasting color

Green Technology:

Mercury and UV-free. RoHS compliant components.

Sensor Specifications

Multi Level Motion Sensor:

*48 ft. diameter maximum coverage from 8 ft. height.

Other

Warranty:

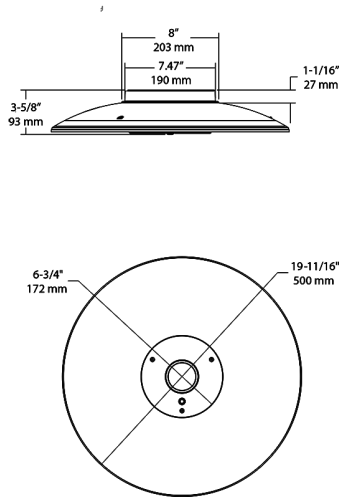
RAB warrants that our LED products will be free from defects in materials and workmanship for a period of five (5) years from the date of delivery to the end user, including coverage of light output, color stability, driver performance and fixture finish. RAB's warranty is subject to all terms and conditions found at

Buy American Act Compliance:

RAB values USA manufacturing! Upon request, RAB may be able to manufacture this product to be compliant with the Buy American Act (BAA). Please contact customer service to request a quote for the product to be made BAA compliant.

IVGT5U- 70L750WU/WSE2

Dimensions



Ordering Matrix

Family	Distribution	Lumen Output	CRI/CCT	Finish	Voltage/Driver	Sensor Options	Lightcloud	Emergency Option
IVG	T5U	70L	750	W	U	/WS	^	/E2
	T5 = Type V Wide	30L = 3,600 lumens (28W)	750 = 70CRI 5000K	Z = Bronze	U = 120-277V 0-10V Dimming	Blank = No Options	Blank = No Lightcloud	Blank = No Options
	T5C = Type V Concentrated					/WS = 8ft lens Wattstopper	/LC = Light Cloud Controller	/E2 = Emergency
	T5U = Type V Wide with Uplight	50L = 5,500 lumens (45W)	740 = 70CRI 4000K	W = White	4 = 480V 0-10V Dimming	/WS2 = 20ft lens Wattstopper		
	T5CU = Type V Concentrated with Uplight	70L = 7,500 lumens (69W)	730 = 70CRI 3000K					