



Low profile, low glare. Edge-lit technology unlike any other.

Color: Black

Weight: 13.5 lbs

Project:

Type:

Prepared By:

Date:

Driver Info

Type: Constant Current
 120V: N/A
 208V: N/A
 240V: N/A
 277V: N/A
 Input Watts: 68W
 Efficiency: 99%

LED Info

Watts: 67W
 Color Temp: 4000K (Neutral)
 Color Accuracy: 73 CRI
 L70 Lifespan: 100,000
 Lumens: 7,448
 Efficacy: 110 LPW

Technical Specifications

Listings

UL Listing:

Suitable for wet locations

IESNA LM-79 & IESNA LM-80 Testing:

RAB LED luminaires have been tested by an independent laboratory in accordance with IESNA LM-79 and LM-80

Title 24 Compliant:

An IVELOT edge-lit area light can be used with a motion sensor or photocell control option to comply with 2016 Title 24 Part 6 Section 130.2 (a,b,v)

Electrical

Driver:

Class 2, 50/60Hz, 347-480V 4kV standard, 10kV optional

Dimming Driver:

Driver includes dimming control wiring for 0-10V dimming systems. Requires separate 0-10V DC dimming circuit. Dims as low as 10%.

THD:

10.6% at 480V

Power Factor:

96.5% at 480V

LED Characteristics

Lifespan:

100,000-hour LED lifespan based on IES LM-80 results and TM-21 calculations at 25°C

LEDs:

Long-life, High efficiency, micro-power, surface mount LEDs

Color Stability:

LED color temperature is warrantied to shift no more than 200K in CCT over a 5 year period

Color Uniformity:

RAB's range of CCT (Correlated Color Temperature) follows the guidelines of the American National Standard for Specifications for the Chromaticity of Solid State Lighting (SSL) Products, ANSI C78.377-2017.

Construction

IP Rating:

Ingress Protection rating of IP66 for dust and water

Cold Weather Starting:

Minimum starting temperature is -40°C (-40°F)

Maximum Ambient Temperature:

Suitable for use in 40°C (104°F)

Housing:

Precision die-cast aluminum

IES Classification:

The Type III distribution is ideal for roadway, general parking, and other area lighting applications where a larger pool of lighting is required. It is intended to be located near the side of the area, allowing the light to project outward and fill the area.

Mounting:

2 3/8" slipfitter mount with stainless steel hardware

Lens:

Diffused Polymethyl Methacrylate (PMMA)

Effective Projected Area:

EPA = 0.61

Finish:

Formulated for high-durability and long lasting color

Green Technology:

Mercury and UV-free. RoHS compliant components.

Sensor Specifications

Multi Level Motion Sensor:

*40 ft. diameter coverage from 20 ft. height.

Other

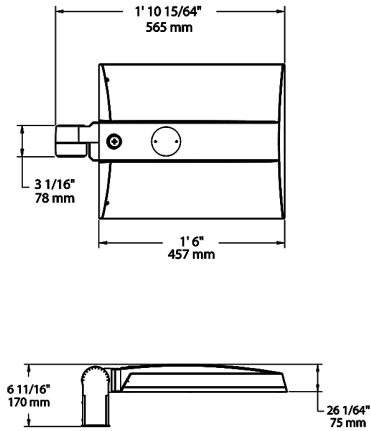
Warranty:

RAB warrants that our LED products will be free from defects in materials and workmanship for a period of five (5) years from the date of delivery to the end user, including coverage of light output, color stability, driver performance and fixture finish. RAB's warranty is subject to all terms and conditions found at

Buy American Act Compliance:

RAB values USA manufacturing! Upon request, RAB may be able to manufacture this product to be compliant with the Buy American Act (BAA). Please contact customer service to request a quote for the product to be made BAA compliant.

Dimensions



Features

- 0-10V Dimming, standard
- 100,000-Hour LED lifespan

Ordering Matrix

Family	Distribution	Lumen Output	Mounting	CRI/CCT	Finish	Voltage/Driver	Sensor Options	Lightcloud Option
IVA	T3	75L	SF	740	K	H	/WS2	^
T2 = Type II	45L = 4,500 lumens (38W)	PA = Universal Pole Adapter	750 = 70CRI 5000K	Z = Bronze	U = 120-277V 0-10V Dimming	Blank = No Options	Blank = No Lightcloud	
T3 = Type III	75L = 7,500 lumens (67W)	WM = Wall mount	740 = 70CRI 4000K	W = White	H = 347-480V, 0-10V Dimming	/WS = 8ft lens Wattstopper	/LC = Lightcloud Controller	
T4 = Type IV	100L = 10,000 lumens (94W)	SF = Slipfitter	730 = 70CRI 3000K	G = Roadway Gray		/WS2 = 20ft lens Wattstopper		
T5S = Type V Square	130L = 13,000 lumens (117W)			K = Black		/WS4 = 40ft lens Wattstopper		
FT = Forward Throw						/7PR = 7-pin receptacle		