



Low profile, low glare. Edge-lit technology unlike any other.

Color: Black

Weight: 15.0 lbs

|                     |              |
|---------------------|--------------|
| <b>Project:</b>     | <b>Type:</b> |
| <b>Prepared By:</b> | <b>Date:</b> |

| Driver Info  |                  | LED Info        |              |
|--------------|------------------|-----------------|--------------|
| Type:        | Constant Current | Watts:          | 94W          |
| 120V:        | N/A              | Color Temp:     | 5000K (Cool) |
| 208V:        | N/A              | Color Accuracy: | 75 CRI       |
| 240V:        | N/A              | L70 Lifespan:   | 100,000      |
| 277V:        | N/A              | Lumens:         | 11,507       |
| Input Watts: | 99W              | Efficacy:       | 116 LPW      |
| Efficiency:  | 95%              |                 |              |

## Technical Specifications

### Listings

#### UL Listing:

Suitable for wet locations

#### IESNA LM-79 & IESNA LM-80 Testing:

RAB LED luminaires have been tested by an independent laboratory in accordance with IESNA LM-79 and LM-80

#### Title 24 Compliant:

An IVELOT edge-lit area light can be used with a motion sensor or photocell control option to comply with 2016 Title 24 Part 6 Section 130.2 (a,b,v)

### Electrical

#### Driver:

Class 2, 50/60Hz, 347-480V 4kV standard, 10kV optional

#### Dimming Driver:

Driver includes dimming control wiring for 0-10V dimming systems. Requires separate 0-10V DC dimming circuit. Dims as low as 10%.

#### THD:

12.66% at 480V

#### Power Factor:

96.1% at 480V

### LED Characteristics

#### Lifespan:

100,000-hour LED lifespan based on IES LM-80 results and TM-21 calculations at 25°C

#### LEDs:

Long-life, High efficiency, micro-power, surface mount LEDs

#### Color Stability:

LED color temperature is warrantied to shift no more than 200K in CCT over a 5 year period

#### Color Uniformity:

RAB's range of CCT (Correlated Color Temperature) follows the guidelines of the American National Standard for Specifications for the Chromaticity of Solid State Lighting (SSL) Products, ANSI C78.377-2017.

### Construction

#### IP Rating:

Ingress Protection rating of IP66 for dust and water

#### Cold Weather Starting:

Minimum starting temperature is -40°C (-40°F)

#### Maximum Ambient Temperature:

Suitable for use in 40°C (104°F)

#### Housing:

Precision die-cast aluminum

#### IES Classification:

The Type III distribution is ideal for roadway, general parking, and other area lighting applications where a larger pool of lighting is required. It is intended to be located near the side of the area, allowing the light to project outward and fill the area.

#### Mounting:

Universal pole adapter

#### Lens:

Diffused Polymethyl Methacrylate (PMMA)

#### Effective Projected Area:

EPA = 0.61

#### Finish:

Formulated for high-durability and long lasting color

#### Green Technology:

Mercury and UV-free. RoHS compliant components.

### Sensor Specifications

#### Multi Level Motion Sensor:

\*48 ft. diameter maximum coverage from 8 ft. height.

### Other

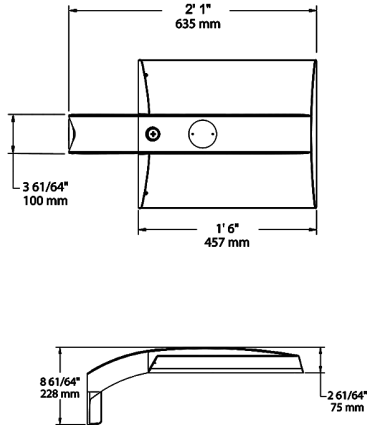
#### Warranty:

RAB warrants that our LED products will be free from defects in materials and workmanship for a period of five (5) years from the date of delivery to the end user, including coverage of light output, color stability, driver performance and fixture finish. RAB's warranty is subject to all terms and conditions found at

#### Buy American Act Compliance:

RAB values USA manufacturing! Upon request, RAB may be able to manufacture this product to be compliant with the Buy American Act (BAA). Please contact customer service to request a quote for the product to be made BAA compliant.

## Dimensions



## Features

- 0-10V Dimming, standard
- 100,000-Hour LED lifespan

## Ordering Matrix

| Family       | Distribution  | Lumen Output | Mounting            | CRI/CCT            | Finish                   | Voltage/Driver           | Sensor Options             | Lightcloud Option           |                             |                 |                 |                   |                   |                   |            |           |                  |           |                            |                             |                    |                            |                              |                              |                         |                       |                             |
|--------------|---------------|--------------|---------------------|--------------------|--------------------------|--------------------------|----------------------------|-----------------------------|-----------------------------|-----------------|-----------------|-------------------|-------------------|-------------------|------------|-----------|------------------|-----------|----------------------------|-----------------------------|--------------------|----------------------------|------------------------------|------------------------------|-------------------------|-----------------------|-----------------------------|
| IVA          | T3            | 100L         | PA                  | 750                | K                        | H                        | /WS                        | ^                           |                             |                 |                 |                   |                   |                   |            |           |                  |           |                            |                             |                    |                            |                              |                              |                         |                       |                             |
| T2 = Type II | T3 = Type III | T4 = Type IV | T5S = Type V Square | FT = Forward Throw | 45L = 4,500 lumens (38W) | 75L = 7,500 lumens (67W) | 100L = 10,000 lumens (94W) | 130L = 13,000 lumens (117W) | PA = Universal Pole Adapter | WM = Wall mount | SF = Slipfitter | 750 = 70CRI 5000K | 740 = 70CRI 4000K | 730 = 70CRI 3000K | Z = Bronze | W = White | G = Roadway Gray | K = Black | U = 120-277V 0-10V Dimming | H = 347-480V, 0-10V Dimming | Blank = No Options | /WS = 8ft lens Wattstopper | /WS2 = 20ft lens Wattstopper | /WS4 = 40ft lens Wattstopper | /7PR = 7-pin receptacle | Blank = No Lightcloud | /LC = Lightcloud Controller |