



Low profile, low glare. Edge-lit technology unlike any other.

Color: Bronze

Weight: 20.0 lbs

<b>Project:</b>	<b>Type:</b>
<b>Prepared By:</b>	<b>Date:</b>

Driver Info		LED Info	
Type:	Constant Current	Watts:	94W
120V:	0.83A	Color Temp:	4000K (Neutral)
208V:	0.48A	Color Accuracy:	73 CRI
240V:	0.42A	L70 Lifespan:	100,000
277V:	0.36A	Lumens:	9,999
Input Watts:	91W	Efficacy:	110 LPW
Efficiency:	N/A		

## Technical Specifications

### Listings

#### UL Listing:

Suitable for wet locations

#### IESNA LM-79 & IESNA LM-80 Testing:

RAB LED luminaires have been tested by an independent laboratory in accordance with IESNA LM-79 and LM-80

#### Title 24 Compliant:

An IVELOT edge-lit area light can be used with a motion sensor or photocell control option to comply with 2016 Title 24 Part 6 Section 130.2 (a,b,v)

### Electrical

#### Driver:

Class 2, 50/60Hz, 120-277V, 4kV standard, 10kV optional

#### Dimming Driver:

Driver includes dimming control wiring for 0-10V dimming systems. Requires separate 0-10V DC dimming circuit. Dims as low as 10%.

#### THD:

4.58% at 120V, 8.45% at 277V

#### Power Factor:

99.8% at 120V, 96.4% at 277V

### LED Characteristics

#### Lifespan:

100,000-hour LED lifespan based on IES LM-80 results and TM-21 calculations at 25°C

#### LEDs:

Long-life, High efficiency, micro-power, surface mount LEDs

#### Color Stability:

LED color temperature is warranted to shift no more than 200K in CCT over a 5 year period

#### Color Uniformity:

RAB's range of CCT (Correlated Color Temperature) follows the guidelines of the American National Standard for Specifications for the Chromaticity of Solid State Lighting (SSL) Products, ANSI C78.377-2017.

### Construction

#### IP Rating:

Ingress Protection rating of IP66 for dust and water

#### Cold Weather Starting:

Minimum starting temperature is -40°C (-40°F)

#### Maximum Ambient Temperature:

Suitable for use in 40°C (104°F)

#### Housing:

Precision die-cast aluminum

#### IES Classification:

The Forward Throw distribution is especially suited for mounting on the sides of buildings and walls, and for illuminating the perimeter of parking areas. It produces a semiCircular distribution with essentially the same candlepower at lateral angles from 90° to 270°.

#### Mounting:

Wall mount

#### Lens:

Diffused Polymethyl Methacrylate (PMMA)

#### Effective Projected Area:

EPA = 0.61

#### Finish:

Formulated for high-durability and long lasting color

#### Green Technology:

Mercury and UV-free. RoHS compliant components.

### Sensor Specifications

#### Multi Level Motion Sensor:

\*100 ft. diameter maximum coverage from 40 ft. height.

#### Other

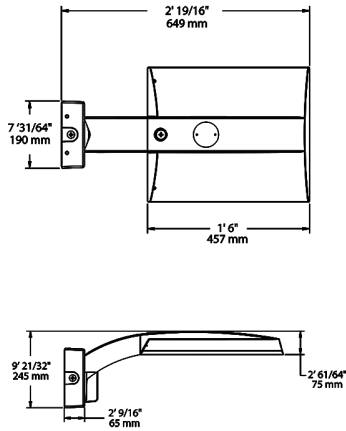
#### Warranty:

RAB warrants that our LED products will be free from defects in materials and workmanship for a period of five (5) years from the date of delivery to the end user, including coverage of light output, color stability, driver performance and fixture finish. RAB's warranty is subject to all terms and conditions found at

#### Buy American Act Compliance:

RAB values USA manufacturing! Upon request, RAB may be able to manufacture this product to be compliant with the Buy American Act (BAA). Please contact customer service to request a quote for the product to be made BAA compliant.

Dimensions



Features

- 0-10V Dimming, standard
- 100,000-Hour LED lifespan

Ordering Matrix

Family	Distribution	Lumen Output	Mounting	CRI/CCT	Finish	Voltage/Driver	Sensor Options	Lightcloud Option
IVA	FT	100L	WM	740	Z	U	/WS4	^
T2 = Type II		45L = 4,500 lumens (38W)	PA = Universal Pole Adapter	750 = 70CRI 5000K	Z = Bronze	U = 120-277V 0-10V Dimming	Blank = No Options	Blank = No Lightcloud
T3 = Type III		75L = 7,500 lumens (67W)	WM = Wall mount	740 = 70CRI 4000K	W = White	H = 347-480V, 0-10V Dimming	/WS = 8ft lens Wattstopper	/LC = Lightcloud Controller
T4 = Type IV		100L = 10,000 lumens (94W)	SF = Slipfitter	730 = 70CRI 3000K	G = Roadway Gray		/WS2 = 20ft lens Wattstopper	
T5S = Type V Square					K = Black		/WS4 = 40ft lens Wattstopper	
FT = Forward Throw		130L = 13,000 lumens (117W)					/7PR = 7-pin receptacle	