

# HV1W

product

Die cast aluminum visor with integral metal grill and tempered glass lens for maximum glare reduction and lamp protection. Guard protects lamp from damage and vandalism. Die cast aluminum.

Color: White

Weight: 1.8 lbs

Project:

Type:

Prepared By:

Date:

## Technical Specifications

### Construction

#### Material:

Die cast aluminum

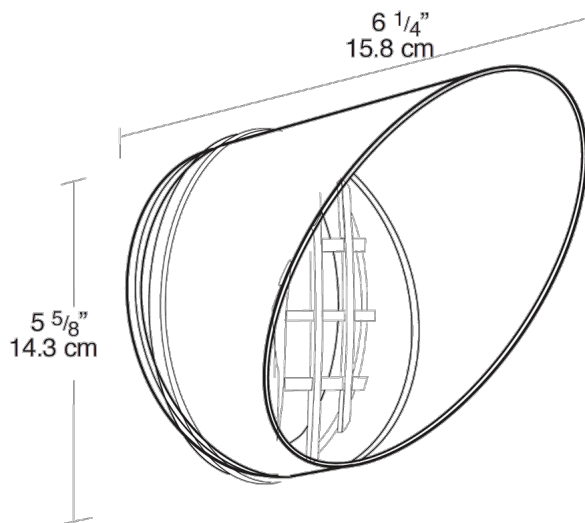
### Visor and Guard:

Designed to fit the H101 and HB101.

### Stealth Accessory:

Guards also fit RAB's Stealth Bullet and Bell Flood Kits. .

## Dimensions



## Features

- Die cast aluminum
- Integral metal grill
- Glass lens for maximum glare reduction and lamp protection