



Project:	Type:
Prepared By:	Date:

Technical Specifications

Construction

Material:

Die cast aluminum

Guard:

Designed to fit the H101 and HB101.

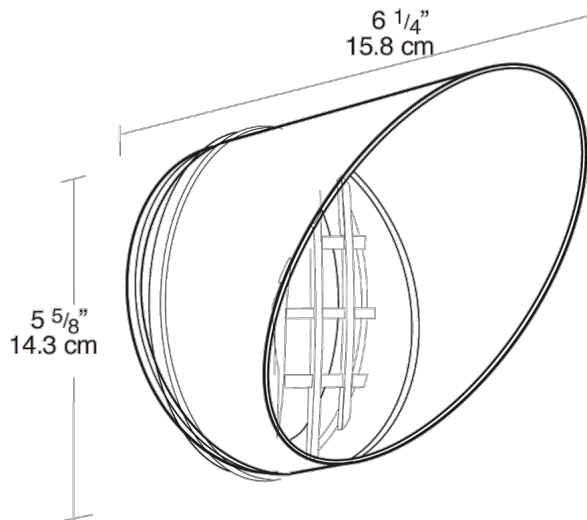
Stealth Accessory:

Guards also fit RAB's Stealth Bullet and Bell Flood Kits. .

Visor:

Visor includes glass.

Dimensions



Features

- Die cast aluminum
- Integral metal grill
- Glass lens for maximum glare reduction and lamp protection