



Bullet shape die cast aluminum flood with 26 Watt LED Light Engine. Comes with spotlight reflector installed.

Color: Black

Weight: 4.6 lbs

Project:

Type:

Prepared By:

Date:

Driver Info

Type:	Constant Current
120V:	N/A
208V:	N/A
240V:	N/A
277V:	N/A
Input Watts:	27W
Efficiency:	97%

LED Info

Watts:	26W
Color Temp:	4000K
Color Accuracy:	81 CRI
L70 Lifespan:	100000
Lumens:	2,093
Efficacy:	78 LPW

Technical Specifications

Listings

UL Listing:

Suitable for wet locations. Suitable for ground mounting.

IESNA LM-79 & LM-80 Testing:

RAB LED luminaires have been tested by an independent laboratory in accordance with IESNA LM-79 and LM-80, and have received the Department of Energy "Lighting Facts" label.

Electrical

Driver:

Constant Current, 700mA, 480V with 4kV surge protection, 480V: 0.06A 50/60Hz, THD < 20%, Power Factor: 99%

Optical

NEMA Type:

NEMA Beam Spread of 3H x 3V

LED Characteristics

LEDs:

Multi-chip, high-output, long-life LEDs

Color Stability:

RAB LEDs exceed industry standards for chromatic stability.

Color Uniformity:

RAB's range of CCT (Correlated Color Temperature) follows the guidelines of the American National Standard for Specifications for the Chromaticity of Solid State Lighting (SSL) Products, ANSI C78.377-2011.

Construction

Cold Weather Starting:

Minimum starting temperature is -40°F/-40°C

Thermal Management:

Superior heat sinking with external Air-Flow fins

Housing:

Precision die-cast aluminum housing, lens frame and mounting arm.

Reflector:

Semi-specular, vacuum-metalized polycarbonate

Mounting:

Heavy-duty mounting arm with "O" ring seal & stainless steel screws.

Gaskets:

High-temperature silicone gaskets

Finish:

Our environmentally friendly polyester powder coatings are formulated for high-durability and long-lasting color, and contain no VOC or toxic heavy metals.

Green Technology:

Mercury and UV free. RoHS compliant components. Polyester powder coat finish formulated without the use of VOC or toxic heavy metals.

Other

California Title 24:

HSLED26 comply with 2013 California Title 24 building and electrical codes as a commercial outdoor non-pole-mounted fixture ≤ 30 Watts when used with a photosensor control. Select catalog number PCS900 (120V) or PCS1900/277 (277V) to order a photosensor.

Country of Origin:

Designed by RAB in New Jersey and assembled in the USA by RAB's IBEW Local 3 workers.

Buy American Act Compliant:

This product is a COTS item manufactured in the United States, and is compliant with the Buy American Act.

Recovery Act (ARRA) Compliant:

This product complies with the 52.225-21 "Required Use of American Iron, Steel, and Manufactured Goods-- Buy American Act-- Construction Materials (October 2010).

Trade Agreements Act Compliant:

This product is a COTS item manufactured in the United States, and is compliant with the Trade Agreements Act.

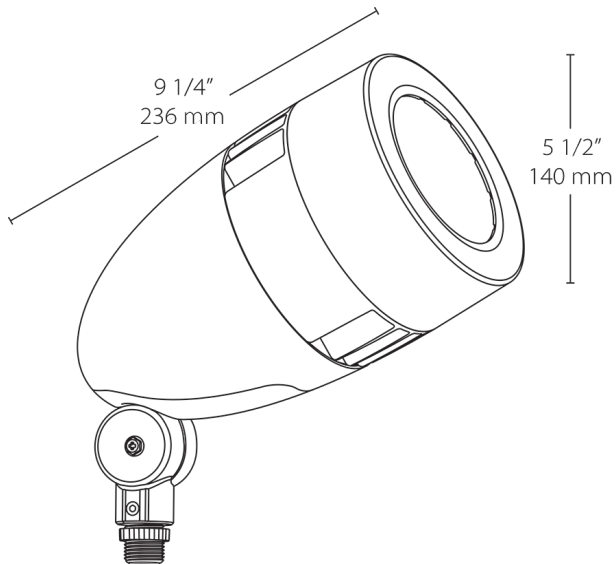
GSA Schedule:

Suitable in accordance with FAR Subpart 25.4.

HSLED26NB/480



Dimensions



Features

- 80% energy savings vs. PAR floods
- Mount on junction box or on RAB Mighty Post
- Patent-pending Air-Flow technology
- 5-year warranty

Ordering Matrix

Family	Watts	Finish	Dimming	Voltage
HSLED	26 = 26W	A = Bronze B = Black VG = Verde Green W = White	Blank = No Dimming /D10 = Dimmable	Blank = 120-277V /480 = 480V