



Replace 50 - 400W MH lamps for post tops, low bays, and high bays, in enclosed or open fixtures. 50,000-hour lifespan. Use 76% less energy than MH.

Color: White Weight: 0.6 lbs

| | |
|---------------------|--------------|
| Project: | Type: |
| Prepared By: | Date: |

| Driver Info | | LED Info | |
|-----------------|--------------------|----------------|----------|
| Watts: | 18W | Input Voltage: | 100-277V |
| Color Temp: | 4000K (Cool White) | Power Factor: | 0.9 |
| Lumens: | 2,600 | Flicker: | <30% |
| Efficacy: | 145 LPW | THDi: | <20% |
| Color Accuracy: | 80 CRI | | |
| L70 Accuracy: | 50,000 | | |

Technical Specifications

Listings

UL Listed:

Yes

UL Classified:

Yes

FCC:

Yes

Rohs:

Yes

CEC Status:

Lawful for sale in California

Description

Lamp Type:

HID

Bulb Type:

Post Top

Base Type:

E26, Medium Screw Base

Dimmable:

No

Construction

Operating Temperature:

-20 - 40°C

Bare Lamp Illuminated Length (inches):

2.40"

MOL (inches):

5.71"

MOD (inches):

2.36"

Minimum Compartment Size (inches):

Length: 5.98"

Width: 5.98"

Height: 8.5"

LED Characteristics

Lifespan:

50,000-hour LED lifespan based on IES LM-70 results

Other

Equivalent:

75W HID Post Top

Warranty:

5 years

Optical

Beam Angle:

360°

Shipping Information

Case Qty:

12

Case Dimensions:

12.2 x 9.06 x 8.46

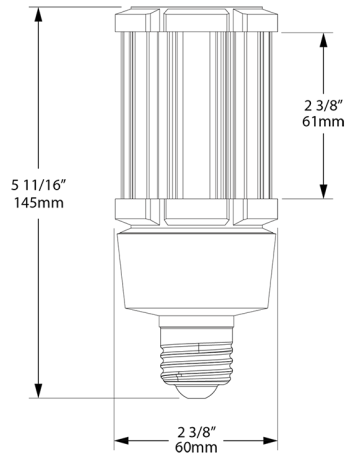
Pallet Quantity of Pieces:

432

Pallet Dimensions:

38.19 x 38.58 x 35.42

Dimensions



Features

- Replacement for Conventional HID Lamps
- Water and dust resistant - ideal for outdoor fixtures
- Thermal technology extends LED lifetime
- Integrated Heat Sink Quickly Dissipates Heat without onboard fan
- Internal Driver, Eliminates the Need for External Driver or Ballast
- Includes 4kV Surge Protection
- Instantly powers on without warm up time