

# HID-115-V-EX39-850- BYP-HB



Replace 200 - 400W MH lamps for high bays. 50,000-hour lifespan. Use 76% less energy than MH. 10% Uplight reduces cave effect.

Color: White

Weight: 3.4 lbs

<b>Project:</b>	<b>Type:</b>
<b>Prepared By:</b>	<b>Date:</b>

Driver Info		LED Info	
Watts:	115W	Input Voltage:	100-277V
Color Temp:	5000K (Daylight)	Power Factor:	0.9
Lumens:	15,800	Flicker:	<30%
Efficacy:	137 LPW	THDi:	<20%
Color Accuracy:	80 CRI		
L70 Accuracy:	50,000		

## Technical Specifications

### Listings

**UL Listed:**

Yes

**UL Classified:**

Yes

**FCC:**

Yes

**Rohs:**

Yes

**CEC Status:**

Lawful for sale in California

**DLC Qualified:**

Yes

**DLC Listed:**

This product is on the Design Lights Consortium (DLC) Qualified Products List and is eligible for rebates from DLC Member Utilities.

DLC Product Code: PWMUSA2N

**Description**

**Lamp Type:**

HID

**Bulb Type:**

High Bay

**Base Type:**

EX39, Mogul Base

**Dimmable:**

No

**Construction**

**Operating Temperature:**

-20 - 40°C

**Bare Lamp Illuminated Length (inches):**

2.32"

**MOL (inches):**

7.48"

**MOD (inches):**

0.91"

**Minimum Compartment Size (inches):**

Length: 9.84"

Width: 9.84"

Height: 9.05"

### LED Characteristics

**Lifespan:**

50,000-hour LED lifespan based on IES LM-70 results

**Other**

**Equivalent:**

400W HID High Bay

**Warranty:**

5 years

**Optical**

**Beam Angle:**

120°

**Shipping Information**

**Case Qty:**

4

**Case Dimensions:**

20.47 x 20.47 x 10.04

**Pallet Quantity of Pieces:**

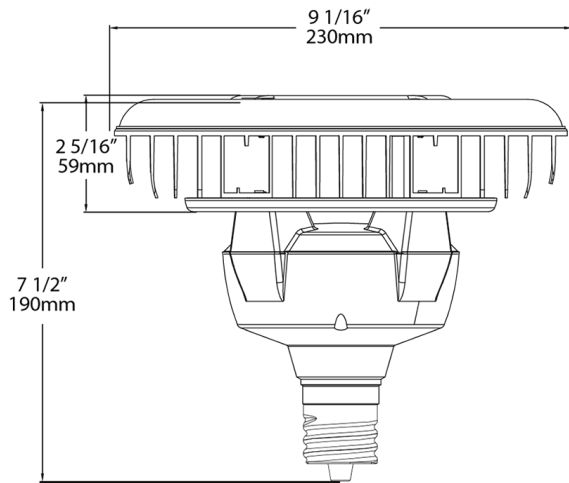
32

**Pallet Dimensions:**

22.44 x 42.91 x 44.88

# HID-115-V-EX39-850- BYP-HB

## Dimensions



## Features

- Integral Driver, Eliminates the Need for External Driver or Ballast
- Includes 4kV Surge Protection
- Integrated Heat Sink Quickly Dissipates Heat
- Water and dust resistant, ideal for industrial applications
- Suitable for Use in Fully Enclosed Fixture
- Ring of LED's provide 10% up lighting to eliminate 'cave effect'
- Environmentally friendly: No Mercury Used