

Project:

Type:

Prepared By:

Date:



UPC: 19813748863



Features and Benefits

HID REPLACEMENT - Replace conventional HID lamps

BALLAST BYPASS - Internal driver eliminates the need for external driver or ballast

50,000-HOUR LIFESPAN - Lasts 25x the life of conventional HID lamps

ENERGY SAVINGS - Uses 76% less energy than traditional lamps

HEAT DISSIPATION - Thermal technology extends lifespan

WATER & DUST RESISTANT - Ideal for warehouse applications

ENCLOSED FIXTURE RATED - May be used in enclosed and open fixtures

UPLIGHTING - Ring of LEDs provides 10% uplighting to eliminate "cave effect"

MERCURY FREE - Environmentally friendly

SURGE PROTECTION - Includes 4kV surge protection

SENSOR PORT - Lamp top has a low-voltage AUX port for lamp level sensor controls - refer to HID replacement accessories for sensor product numbers

Technical Specifications

Product Type	HID
Bulb Shape	High Bay
Wattage	115W
Wattage Equivalency	400W HID
Typical Lumen Output	15800
Efficacy	137 lm/W
Color Temperature	5000K Daylight
CRI	80
Base Type	EX39
L70 Lifespan	50,000 hours
Operating Temperature	-30°C - 60°C
Dimmable	No
Beam Angle	120°
Warranty	5-Year, No-Compromise Warranty
Installation Type	Type B, Ballast Bypass
Installation Orientation	Vertical
For Use in Emergency Fixtures	No

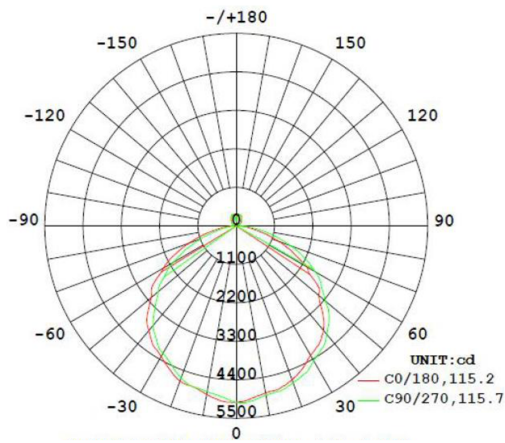
Electrical Characteristics

Input Voltage	100-277V
Power Factor	>0.9
Operating Frequency	50 / 60 Hz
Input Current @ 120V	1.27mA
Flicker	<30%
THDi	<20%

Listings

UL Listed	Yes
UL Classified	Yes
DLC Listed	This product is on the Design Lights Consortium (DLC) Qualified Products List and is eligible for rebates from DLC Member Utilities.
DLC Model Number	H20012
DLC Product Code	PKZF23AH
CEC Status	Lawful for sale in California

Light Distribution



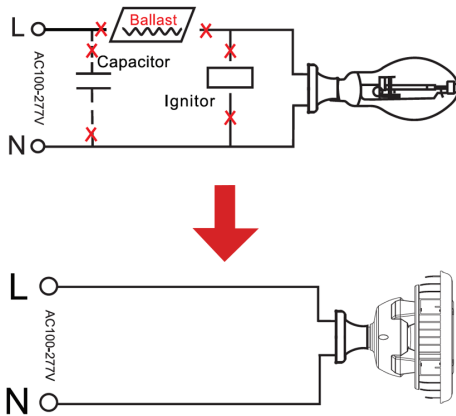
Minimum Compartment Size

Length x Width x Height [mm]	Lamp Quantity
9.8 x 9.8 x 9.1	1

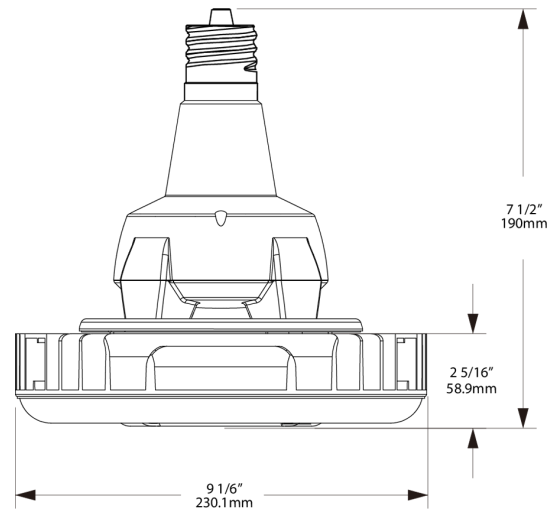
Case and Pallet Dimensions

	QTY	LENGTH	WIDTH	HEIGHT
CASE	4	20.5	20.5	10
PALLET	16	22.4	42.9	44.9

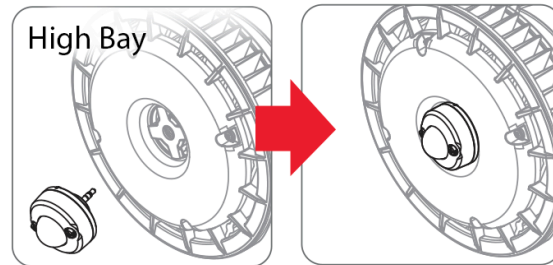
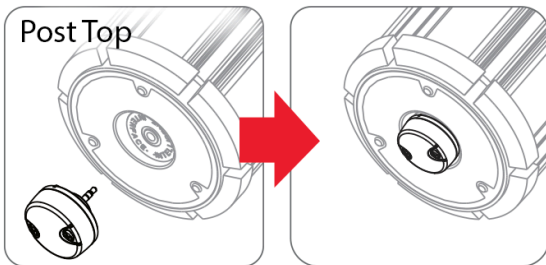
Wiring Diagram



Dimension



Sensor Installation



Compatible with:

HID-80-EX39-8xx-BYP-PT
 HID-100-EX39-8xx-BYP-PT
 HID-120-EX39-8xx-BYP-PT

Compatible with:

HID-60-V-EX39-8xx-BYP-HB
 HID-80-V-EX39-8xx-BYP-HB
 HID-115-V-EX39-8xx-BYP-HB