

Color: Semi-specular cone white trim

Weight: 1.0 lbs

**Project:**

**Type:**

**Prepared By:**

**Date:**

**Driver Info**

Type: N/A  
 120V: N/A  
 208V: N/A  
 240V: N/A  
 277V: N/A  
 Input Watts: 0W  
 Efficiency: N/A

**LED Info**

Watts: 0W  
 Color Temp: N/A  
 Color Accuracy: N/A  
 L70 Lifespan: N/A  
 Lumens: N/A  
 Efficacy: N/A

## Technical Specifications

**Listings**

**UL Listed:**

Suitable for wet locations in a covered ceiling

**Optical**

**Photometrics:**

Photometrics are based on prorated reports. Contact the RAB Lighting Design department for the most up-to-date data.

**Construction**

**Trim:**

6" Round Wall Wash, Semi-Specular Cone, White Trim

**Housing:**

Precision die cast aluminum

**Green Technology:**

Mercury and UV-free. RoHS compliant components. Polyester powder coat finish formulated without the use of VOCs or toxic heavy metals.

**Finish:**

Formulated for high-durability and long lasting color

**Other**

**Trim Component:**

This component must be ordered with HALITE housing and LED light engine in order to make a complete fixture.

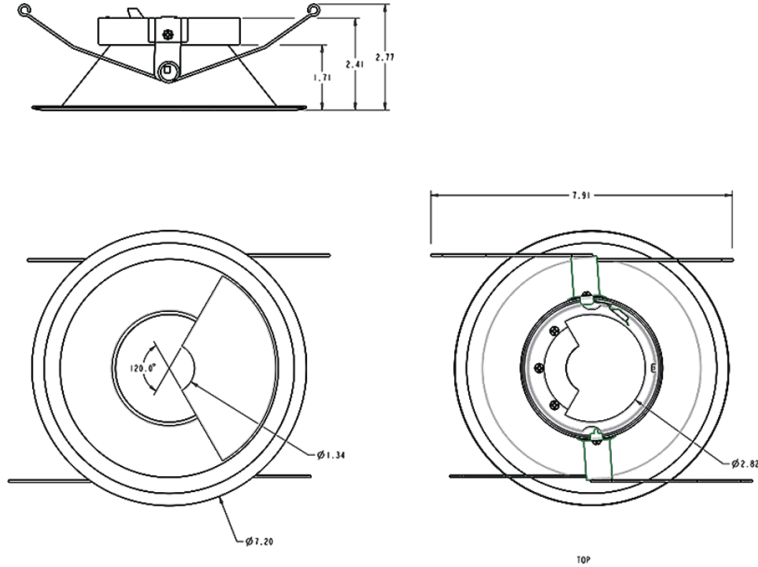
**Warranty:**

RAB warrants that our LED products will be free from defects in materials and workmanship for a period of five (5) years from the date of delivery to the end user, including coverage of light output, color stability, driver performance and fixture finish.

**Buy American Act Compliance:**

RAB values USA manufacturing! Upon request, RAB may be able to manufacture this product to be compliant with the Buy American Act (BAA). Please contact customer service to request a quote for the product to be made BAA compliant.

## Dimensions



## Ordering Matrix

Family	Size	Shape	Type	Finish
HATRIM	6	R	WW	MW
	4 = 4" 6 = 6"	R = Round AR = Adjustable Round	Blank = Adjustable Downlight D = Downlight BF = Downlight Baffle WW = Wall Washer	A = Antique Bronze CU = Copper SA = Satin Nickel W = White M = Semi-Specular SW = Specular Cone, White Trim MW = Semi-Specular Cone, White Trim BW = Black Cone, White Trim