

Color: Satin nickel

Weight: 0.7 lbs

Project:	Type:
Prepared By:	Date:

Driver Info		LED Info	
Type:	N/A	Watts:	0W
120V:	N/A	Color Temp:	N/A
208V:	N/A	Color Accuracy:	N/A
240V:	N/A	L70 Lifespan:	N/A
277V:	N/A	Lumens:	N/A
Input Watts:	0W	Efficacy:	N/A
Efficiency:	N/A		

Technical Specifications

Listings

UL Listed:

Suitable for wet locations in a covered ceiling

Optical

Photometrics:

Photometrics are based on prorated reports. Contact the RAB Lighting Design department for the most up-to-date data.

Construction

Trim:

4" Round Adjustable, Satin Nickel

Housing:

Precision die cast aluminum

Green Technology:

Mercury and UV-free. RoHS compliant components. Polyester powder coat finish formulated without the use of VOCs or toxic heavy metals.

Finish:

Formulated for high-durability and long lasting color

Other

Trim Component:

This component must be ordered with HALITE housing and LED light engine in order to make a complete fixture.

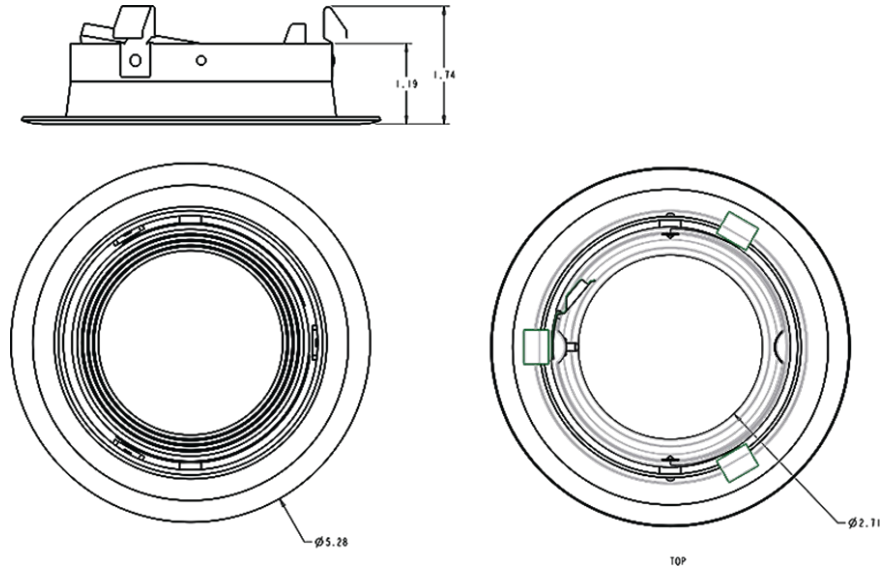
Warranty:

RAB warrants that our LED products will be free from defects in materials and workmanship for a period of five (5) years from the date of delivery to the end user, including coverage of light output, color stability, driver performance and fixture finish.

Buy American Act Compliance:

RAB values USA manufacturing! Upon request, RAB may be able to manufacture this product to be compliant with the Buy American Act (BAA). Please contact customer service to request a quote for the product to be made BAA compliant.

Dimensions



Ordering Matrix

Family	Size	Shape	Type	Finish
HATRIM	4	AR		SA
	4 = 4"	R = Round	Blank = Adjustable Downlight	A = Antique Bronze
	6 = 6"	AR = Adjustable Round	D = Downlight	CU = Copper
			BF = Downlight Baffle	SA = Satin Nickel
			WW = Wall Washer	W = White
				M = Semi-Specular
				SW = Specular Cone, White Trim
				MW = Semi-Specular Cone, White Trim
				BW = Black Cone, White Trim