

Copper Frame with Toffee Leaves Lens

Note: Fixture will come fully assembled with the frame and lens shown above.

Project:	Type:
Prepared By:	Date:

Driver Info		LED Info	
Type:	Constant Current	Watts:	14W
120V:	0.12A	Color Temp:	2700K (Residential Warm)
208V:	0.07A	Color	96 CRI
240V:	0.06A	Accuracy:	R9: 97
277V:	0.06A	L70 Lifespan:	50,000
Input Watts:	14W	Lumens:	222
Efficiency:	N/A	Efficacy:	16 LPW

Technical Specifications

Listings

UL Listed:

Suitable for damp locations. Recommended for indoor use only.

ADA Compliant:

Meets ADA Requirements for wall-mounted luminaires.

IESNA LM-79 & IESNA LM-80 Testing:

RAB LED luminaires and LED components have been tested by an independent laboratory in accordance with IESNA LM-79 and LM-80.

LED Characteristics

Lifespan:

50,000-hour LED lifespan based on IES LM-80 results and TM-21 calculations

LEDs:

Long-life, High efficiency, micro-power, surface mount LEDs; binned and mixed for uniform light output and color

Light Loss Factor:

0.33

Color Stability:

LED color temperature is warrantied to shift no more than 200K in CCT over a 5 year period

Color Uniformity:

RAB's range of CCT (Correlated Color Temperature) follows the guidelines of the American National Standard for Specifications for the Chromaticity of Solid State Lighting (SSL) Products, ANSI C78.377-2017.

Electrical

Dimming Driver:

0 - 10V (at 120-277V), TRIAC and ELV (at 120V only)

Driver:

Constant Current, Class 2, 120-277VAC, 50/60Hz, 350mA or 640mA

THD:

19.8% at 120V, 21.6% at 277V

Power Factor:

96.4% at 120V, 85.7% at 277V

Construction

Housing:

Die-cast and extruded aluminum

Mounting:

Wall mount with junction box included

Lens:

Acrylic lens with toffee leaves print. See for cleaning instructions.

Ambient Operating Temperature:

-20°C (-4°F) to 40°C (104°F)

Green Technology:

Mercury and UV-free. RoHS compliant components.

Finish:

Luxuriously Electroplated Copper

Other

Bi-Level:

Allows 75%, 50%, 25% output modes

Equivalency :

Equivalent to 60W Incandescent

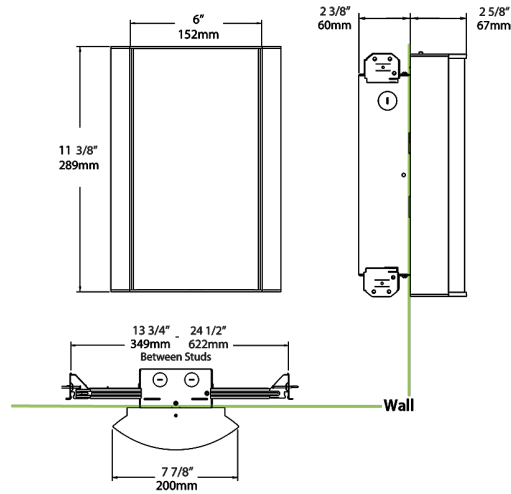
Warranty:

RAB warrants that our LED products will be free from defects in materials and workmanship for a period of five (5) years from the date of delivery to the end user, including coverage of light output, color stability, driver performance and fixture finish. RAB's warranty is subject to all terms and conditions found at

Buy American Act Compliance:

RAB values USA manufacturing! Upon request, RAB may be able to manufacture this product to be compliant with the Buy American Act (BAA). Please contact customer service to request a quote for the product to be made BAA compliant.

Dimensions



Ordering Matrix

Family	Lumen Package	CRI and CCT		Lens		Finish	Options
HALVS	10L	927	-	TL	-	CU	/BL
	10L = 1000lm / 14W	940 = 90CRI, 4000K		F = Frosted (Standard)		W = White	Blank = No Option
	18L = 1800lm / 25W	935 = 90CRI, 3500K		FG1 = Frosted with Grill Style #1		K = Black	/E2 = Emergency Battery Backup
		930 = 90CRI, 3000K		FG2 = Frosted with Grill Style #2		S = Silver	/MVS = Occupancy Sensor
		927 = 90CRI, 2700K		FG3 = Frosted with Grill Style #3		A = Antique Bronze	/BL = Bi-Level Control
				NL = Natural Leaves		SA = Satin Nickel	/LC = Lightcloud Controller
				GL = Green Leaves		CU = Copper	/MVS/E2 = Microwave Sensor w/ Emergency Battery Backup
				TL = Toffee Leaves			/BL/E2 = Bi-Level Control w/ Emergency Battery Backup
				LW = Linen Hampton White			/LC/E2 = Lightcloud Controller w/ Emergency Battery Backup
				LS = Linen Stone			
				LH = Linen Harbor			
				MS = Metallic Spun Silver			
				MC = Metallic Spun Copper			
				MG = Metallic Spun Gold			
				CW = Crush Polar White			
				CS = Crush Sedona			
				MP = Mirage Platinum			
				MA = Mirage Bronze			