



Color: N/A

Weight: 0.2 lbs

Project:	Type:
Prepared By:	Date:

Driver Info		LED Info	
Type:	Constant Current	Watts:	0W
120V:	0.48A	Color Temp:	N/A
208V:	0.32A	Color Accuracy:	N/A
240V:	0.28A	L70 Lifespan:	N/A
277V:	0.24A	Lumens:	3548
Input Watts:	0W	Efficacy:	N/A
Efficiency:	N/A		

Technical Specifications

Listings

UL Listed:

Suitable for wet locations in a covered ceiling

Optical

Photometrics:

Photometrics are based on prorated reports. Contact the RAB Lighting Design department for the most up-to-date data.

Optic Accessory:

The HALEd Light Engine comes standard with an 80° optic with frosted lens installed. For 50°, the optic accessory included in your order must be installed.

Construction

Green Technology:

Mercury and UV-free. RoHS compliant components. Polyester powder coat finish formulated without the use of VOCs or toxic heavy metals.

Finish:

Formulated for high-durability and long lasting color

Other

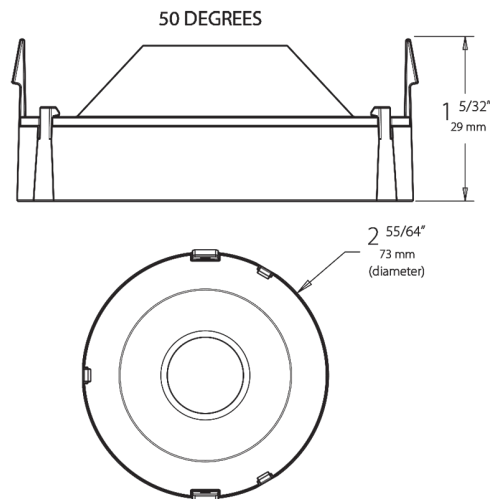
Warranty:

RAB warrants that our LED products will be free from defects in materials and workmanship for a period of five (5) years from the date of delivery to the end user, including coverage of light output, color stability, driver performance and fixture finish.

Buy American Act Compliance:

RAB values USA manufacturing! Upon request, RAB may be able to manufacture this product to be compliant with the Buy American Act (BAA). Please contact customer service to request a quote for the product to be made BAA compliant.

Dimensions



Ordering Matrix

Family	Beam Spread	Lens
HA	50	

50 = 50°
80 = 80°
WW = Wall Washer

Blank = Solite Prismatic Lens
FR = Frosted Lens