



Large size flood for easier relamping and glare reduction. Durable one piece die casting with rugged mounting arm, weatherproof gasket and drain holes. Accepts 150 Watt PAR 38 max. Lamp not supplied.

Color: Verde green

Weight: 9.3 lbs

Project:

Type:

Prepared By:

Date:

Lamp Info

Type: PAR38 MH
 Watts: 70W
 Shape/Size: PAR38
 Base: Med
 ANSI: M98
 Hours: 15,000
 Lamp Lumens: 4,800
 Efficacy: 51 LPW

Ballast Info

Type: HX-HPF QT
 120V: .7/.8A
 208V: .4/.5A
 240V: .4/.4A
 277V: .3/.4A
 Input Watts: 94W
 Efficiency: 74%

Technical Specifications

Other

Country of Origin:

Designed by RAB in New Jersey and assembled in the USA by RAB's IBEW Local 3 workers.

Buy American Act Compliant:

This product is a COTS item manufactured in the United States, and is compliant with the Buy American Act.

Recovery Act (ARRA) Compliant:

This product complies with the 52.225-21 "Required Use of American Iron, Steel, and Manufactured Goods-- Buy American Act-- Construction Materials (October 2010).

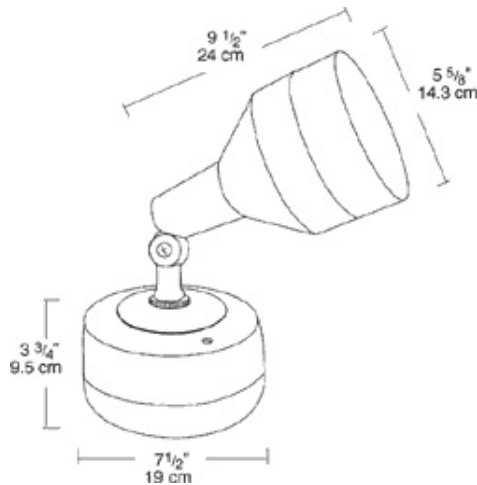
Trade Agreements Act Compliant:

This product is a COTS item manufactured in the United States, and is compliant with the Trade Agreements Act.

GSA Schedule:

Suitable in accordance with FAR Subpart 25.4.

Dimensions



Features

Color may not match product image. Please refer to the specifications below for the correct color

Set screw for hood, grill, or visor attachment

Heavy duty mounting arm with internal O-ring, locking teeth, and stainless steel screw

EZ Grip locknut matches fixture finish and can be adjusted with fingers, pliers or a screwdriver

Rugged die cast aluminum ballast housings with powder coat finish

Side and bottom conduit openings. Close up plugs supplied