



The affordable LED GUS is designed to deliver general ambient lighting for surface-mount ceiling/wall or pendant mount applications. Diffusion lens delivers improved visual performance and a more refined look. Replaces traditional 4' linear fluorescent wraparound fixtures.

Color: White

Weight: 17.9 lbs

Project:	Type:
Prepared By:	Date:

Driver Info		LED Info	
Type:	Constant Current	Watts:	36W
120V:	0.31A	Color Temp:	4000K
208V:	0.19A	Color Accuracy:	83 CRI
240V:	0.17A	L70 Lifespan:	100000
277V:	0.14A	Lumens:	4437
Input Watts:	38W	Efficacy:	117 LPW
Efficiency:	95%		

Technical Specifications

Listings

UL Listing:

Suitable for damp locations

IESNA LM-79 & LM-80 Testing:

RAB LED luminaires have been tested by an independent laboratory in accordance with IESNA LM-79 and LM-80, and have received the Department of Energy "Lighting Facts" label.

LED Characteristics

Lifespan:

100,000-hour LED lifespan based on IES LM-80 results and TM-21 calculations.

LEDs:

Long-life, high-efficiency surface mounting LEDs

Color Stability:

LED Color temperature is warranted to shift no more than 200K in CCT over a 5 year period.

Color Uniformity:

RAB's range of CCT (Correlated Color Temperature) follows the guidelines of the American National Standard for Specifications for the Chromaticity of Solid State Lighting (SSL) Products, ANSI C78.377-2015.

Electrical

Driver:

Class 2, Constant Current, 100-277VAC, 50-60Hz, 4kV, 120V: 0.31A, 208V: 0.19A, 240V: 0.17A, 277V: 0.14A

THD:

11.0% at 120V, 14.6% at 277V

Power Factor:

99.3% at 120V, 94.3% at 277V

Minimum Starting Temperature:

0° to 40°C

Emergency Battery Backup:

Emergency battery backup will operate the fixture for 90 minutes if power fails. Wired for 120-277V.

Dimming Driver:

Driver includes dimming control wiring for 0-10V dimming systems. Requires separate 0-10V DC dimming circuit. Dims as low as 10%.

Construction

Housing:

Die-formed 22 gauge, cold-rolled, post-painted steel. Post painting improves durability of the finish and eliminates the sharp edges making handling and installation safer.

Mounting:

Surface mount. Can be mounted with chains or v-hooks by others.

Lens:

Acrylic lens with diffusion for enhanced optical performance

Reflector:

Aluminum with high-reflectance (91%) powder coat applied post production for a more durable finish

Finish:

Formulated for high-durability and long lasting color.

Green Technology:

Mercury and UV free. RoHS compliant components. Polyester powder coat finish formulated without the use of VOC or toxic heavy metals.

Other

Warranty:

RAB warrants that our LED products will be free from defects in materials and workmanship for a period of five (5) years from the date of delivery to the end user, including coverage of light output, color stability, driver performance and fixture finish.

Equivalency:

Equivalent to (2) F32T8W

Country of Origin:

Designed by RAB in New Jersey and assembled in the USA by RAB's IBEW Local 3 workers.

Buy American Act Compliant:

This product is a COTS item manufactured in the United States, and is compliant with the Buy American Act.

Recovery Act (ARRA) Compliant:

This product complies with the 52.225-21 "Required Use of American Iron, Steel, and Manufactured Goods-- Buy American Act-- Construction Materials (October 2010).

Trade Agreements Act Compliant:

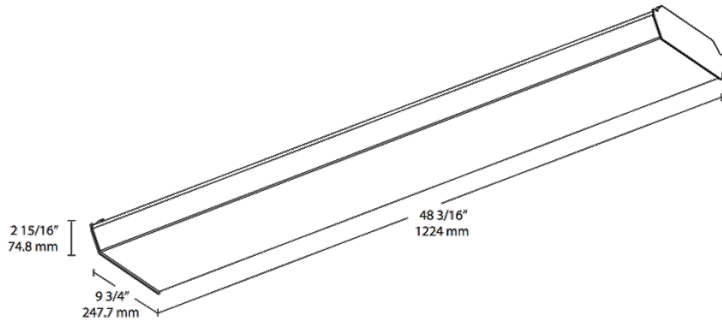
This product is a COTS item manufactured in the United States, and is compliant with the Trade Agreements Act.

GSA Schedule:

Suitable in accordance with FAR Subpart 25.4.

GUS4-36NW/D10/E2

Dimensions



Features

- Energy-efficient, maintenance-free LED wrap fixture
- Multiple mounting options: surface, pendant or chain
- High-reflectance white finish for optimal output
- Diffusion wrap-around lens for smooth light distribution
- 0-10V dimming standard
- 100,000-Hour LED lifespan

Ordering Matrix

Family	Size	Wattage	Color Temp	Finish	Driver Options
GUS	4 = 4 feet 2 = 2 feet	50 = 50W (4 ft) 36 = 36W (4 ft) 25 = 25W (2 ft) 18 = 18W (2 ft)	Blank = 5000K (Cool) N = 4000K (Neutral) YN = 3500K (Warm Neutral) Y = 3000K (Warm)	W = White	/D10 = 0-10V Dimming /E2 = Emergency Battery Backup