



13 & 26 Watt Straight Shade LED Gooseneck Luminaire designed to match the architecture of Main Street storefronts and building perimeters. LED Gooseneck Straight Shade with 24" Goose Arm Style 1.

Color: Hunter green

Weight: 11.0 lbs

<b>Project:</b>	<b>Type:</b>
<b>Prepared By:</b>	<b>Date:</b>

Driver Info		LED Info	
Type:	Constant Current	Watts:	26W
120V:	0.25A	Color Temp:	4000K
208V:	0.16A	Color Accuracy:	85 CRI
240V:	0.14A	L70 Lifespan:	100000
277V:	0.12A	Lumens:	1,319
Input Watts:	28W	Efficacy:	46 LPW
Efficiency:	91%		

## Technical Specifications

### LED Characteristics

#### Color Accuracy (CRI):

CRI can change due to the fixture color. Please contact the RAB Lighting Design department for more details.

#### Lifespan:

100,000-hour LED lifespan based on IES LM-80 results and TM-21 calculations.

#### LED:

Single multi-chip, 26W high-output, long-life LED.

#### Correlated Color Temp. (Nominal CCT):

4000K

#### Color Stability:

LED color temperature is warranted to shift no more than 200K in CCT over a 5 year period.

#### Color Uniformity:

RAB's range of CCT (Correlated Color Temperature) follows the guidelines of the American National Standard for Specifications for the Chromaticity of Solid State Lighting (SSL) Products, ANSI C78.377-2011.

### Listings

#### UL Listing:

Suitable for wet locations. Suitable for mounting within 1.2m (4ft) of the ground.

#### IESNA LM-79 & IESNA LM-80 Testing:

RAB LED luminaires have been tested by an independent laboratory in accordance with IESNA LM-79 and 80, and have received the Department of Energy "Lighting Facts" label.

### Sensor Characteristics

#### Lead Time:

3 weeks expedited shipping. 6 weeks standard shipping.

### Construction

#### Fixture:

The GN1LED26NRSTG comes with the GOOSE1G Arm.

#### Thermal Management:

Custom heat sink assembly in thermal contact with die-cast aluminum housing for superior heat sinking.

#### Housing:

Precision die-cast aluminum housing, lens frame and mounting plate.

#### Gaskets:

High Temperature Silicone

#### Mounting:

Heavy-duty mounting arm with "O" ring seal and stainless steel screw.

#### Cold Weather Starting:

The minimum starting temperature is -40°F/-40°C

#### Finish:

Our environmentally friendly polyester powder coatings are formulated for high-durability and long-lasting color, and contains no VOC or toxic heavy metals. Offers significantly improved gloss retention and resistance to color change.

#### Green Technology:

Mercury and UV free. RoHS compliant components. Polyester powder coat finish formulated without the use of VOC or toxic heavy metals.

### Electrical

#### Driver:

Constant Current, Class 2, 100-277V, 50/60 Hz, 0.48 A, THD≤20%, PF 97.9%.

### Surge Protection:

4kv

### Other

#### Shades:

15" Straight Shade offered.

#### Equivalency:

The GNLED26 is equivalent in delivered lumens 120W incandescent, 75W MH or 42W CFL.

#### California Title 24:

Goosenecks complies with 2013 California Title 24 building and electrical codes as a commercial outdoor non-pole-mounted fixture < 30 Watts when used with a photosensor control. Select catalog number PCS900(120V) or PCS900/277 to order a photosensor.

#### Patents:

The design of the Gooseneck is protected by patents pending in US, Canada, China and Taiwan.

#### Warranty:

RAB warrants that our LED products will be free from defects in materials and workmanship for a period of five (5) years from the date of delivery to the end user, including coverage of light output, color stability, driver performance and fixture finish. See our full warranty

#### Country of Origin:

Designed by RAB in New Jersey and assembled in Taiwan.

#### Trade Agreements Act Compliant:

This product is a product of Taiwan and a "designated country" end product that complies with the Trade Agreements Act.

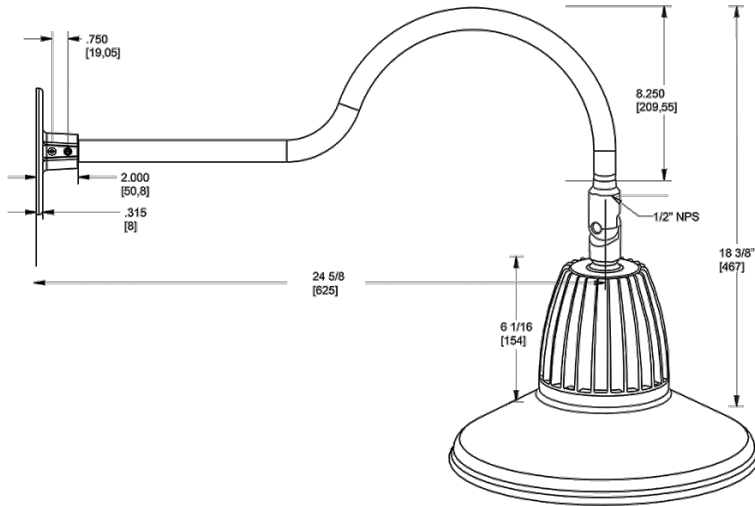
## Technical Specifications (continued)

### Other

### GSA Schedule:

Suitable in accordance with FAR Subpart 25.4.

### Dimensions



### Features

- Adjustable 45° swivel joint
- Superior heat sink
- Die-cast aluminum housing
- 5 year LED warranty

### Ordering Matrix

Family	Watts	Color Temp	Reflector	Shade	ShadeSize	Finish
GN1LED	26	N	R	ST		G
	13 = 13W 26 = 26W	Y = 3000K (Warm) N = 4000K (Neutral)	Blank = Flood R = Rectangular S = Spot	ST = Straight Shade	11 = 11" Blank = 15"	B = Black W = White A = Bronze S = Silver G = Hunter Green YL = Yellow LB = Light Blue BL = Royal Blue BWN = Brown I = Ivory R = Red