

# GD200DGS

product

Die cast aluminum one piece guard with distinctive flat bottom for contemporary look. Machined threads for smooth fit. A headless set screw is provided to lock guard in place.

Color: Silver gray

Weight: 0.6 lbs

Project:

Type:

Prepared By:

Date:

## Technical Specifications

### Listings

#### UL Listing:

Suitable for wet locations when used with RAB Vapor proof fixtures.

#### Other

#### Die Cast Guards:

One pieced die cast aluminum. Set screw locks guard in place. Also a wire clamp guard is available.

#### Country of Origin:

Designed by RAB in New Jersey and assembled in Taiwan.

#### Trade Agreements Act Compliant:

This product is a product of Taiwan and a "designated country" end product that complies with the Trade Agreements Act.

#### GSA Schedule:

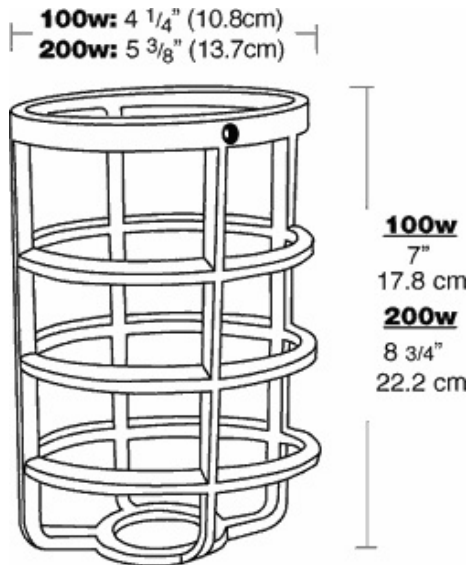
Suitable in accordance with FAR Subpart 25.4.

#### Construction

#### Wire Clamp Guards:

No. 8 gauge steel wire rod welded to clamping band with captive clamping screw.

## Dimensions



## Features

- Set screw locks guard in place
- Machined threads for smooth running fit on Vaporproof fixtures
- Heavy, one-piece aluminum die casting
- Captive clamping screw won't fall out
- Threaded aluminum ring secures reflector to fixture