



New Integra Hood for Friendly Lighting. Awesome performance with quality and value from this compact 400 and 250 Watt HID flood.

Color: Bronze

Weight: 28.4 lbs

Project:

Type:

Prepared By:

Date:

### Lamp Info

Type: ED28  
 Watts: 250W  
 Shape/Size: N/A  
 Base: N/A  
 ANSI: N/A  
 Hours: 15,000  
 Lamp Lumens: 25,000  
 Efficacy: 87 LPW

### Ballast Info

Type: CWA-HPF QT  
 120V: 1.4/2.5A  
 208V: .8/1.5A  
 240V: .7/1.3A  
 277V: .6/1.1A  
 Input Watts: 288W  
 Efficiency: 87%

## Technical Specifications

### Listings

#### UL Listing:

Suitable for wet locations. Suitable for ground mounting.

#### Construction

#### Housing:

Precision die cast aluminum.

#### Reflector:

High quality anodized aluminum.

#### Lens:

Tempered shock resistant glass.

#### Lens Gasket:

Molded one-piece silicone in die cast retaining groove to remain in place during relamping.

#### Finish:

Our environmentally friendly polyester powder coatings are formulated for high-durability and long-lasting color, and contains no VOC or toxic heavy metals.

#### EPA:

1.3.

#### Electrical

#### Socket:

Glazed porcelain 4kv pulse rated with nickel plated screw shell and spring contacts.

#### Pulse Start:

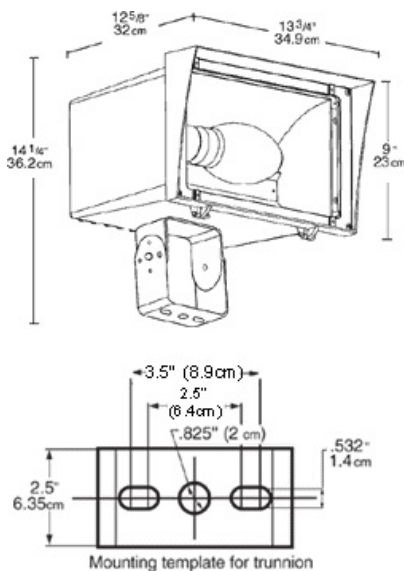
Pulse Start metal halide for increased lamp life, lumen maintenance, color uniformity and efficiency.

#### Other

#### Patents:

Pat. D547,477.

## Dimensions



## Features

- Optional glare hood, wire guard or polycarbonate shield
- Reflector designed for precise beam control
- Stainless steel screws included
- Long life lamp included
- Supplied with 3' of STW cord
- Rugged trunnion or slipfitter mounting
- New 2" Integra hood to reduce light trespass and glare