



Ultra high output, high efficiency LED floodlight with NEMA Types: 7H x 6V, 6H x 4V, 4H x 6V, 5H x 5V and 3H x 3V. Advance thermal design ensures long LED and driver lifespan. Use for general and security lighting for large areas, building facades, signs and landscapes.

Color: Bronze

Weight: 71.0 lbs

| | |
|---------------------|--------------|
| Project: | Type: |
| Prepared By: | Date: |

| Driver Info | | LED Info | |
|--------------|------------------|-----------------|---------|
| Type: | Constant Current | Watts: | 500W |
| 120V: | N/A | Color Temp: | 3000K |
| 208V: | N/A | Color Accuracy: | 72 CRI |
| 240V: | N/A | L70 Lifespan: | 100000 |
| 277V: | N/A | Lumens: | 52656 |
| Input Watts: | 496W | Efficacy: | 106 LPW |
| Efficiency: | N/A | | |

Technical Specifications

Listings

UL Listing:

Suitable for wet locations. Suitable for mounting within 1.2m (4ft) of the ground.

IESNA LM-79 & LM-80 Testing:

RAB LED luminaires have been tested by an independent laboratory in accordance with IESNA LM-79 and LM-80.

DLC Listed:

This product is on the Design Lights Consortium (DLC) Qualified Products List and is eligible for rebates from DLC Member Utilities.

DLC Product Code: PFERS9JS

Electrical

Drivers:

Constant Current, Class 1, 480, 50/60 Hz, 480V: 1.08A

Dimming Driver:

Driver includes dimming control wiring for 0-10V dimming systems. Requires separate 0-10V DC dimming circuit. Dims as low as 10%.

THD:

13.3% at 480V

Power Factor:

96% at 480V

Surge Protection:

10kV

Optical

NEMA Type:

NEMA Beam Spread of 3H x 3V

LED Characteristics

Lifespan:

100,000-hour LED lifespan based on IES LM-80 results and TM-21 calculations.

Note:

All values are typical (tolerance +/- 10%)

LEDs:

Multip-chip, high-output, long-life LEDs

Color Stability:

LED color temperature is warranted to shift no more than 200K in CCT over a 5 year period

Color Uniformity:

RAB's range of CCT (Correlated Color Temperature) follows the guidelines of the American National Standard for Specifications for the Chromaticity of Solid State Lighting (SSL) Products, ANSI C78.377-2017.

Construction

IP Rating:

Ingress Protection rating of IP66 for dust and water

Vibration Rating:

2G vibration rating per ANSI C136.31.

Cold Weather Starting:

Minimum starting temperature is -40°C (-40°F)

Ambient Temperature:

Suitable For use in 40°C (104°F) ambient temperatures.

Effective Projected Area:

EPA = 4

Thermal Management:

Superior thermal management with external "Air-Flow" fins.

Housing:

Die-cast aluminum housing with lens frame.

Mounting:

Heavy-duty Trunnion mount with stainless steel hardware

Reflector:

Specular vacuum metalized polycarbonate; semi-specular on flat trim edge.

Lens:

Clear glass lens

Gaskets:

High-temperature silicone gaskets

Finish:

Formulated for high-durability and long lasting color.

Technical Specifications (continued)

Construction

Green Technology:

Mercury and UV free. RoHS compliant components. Polyester powder coat finish formulated without the use of VOC or toxic heavy metals.

Other

American Bureau of Shipping (ABS) :

For use on Mobile Offshore Drilling Units (MODU) and shipping vessels.

Replacement:

Replaces 1500W Metal Halide

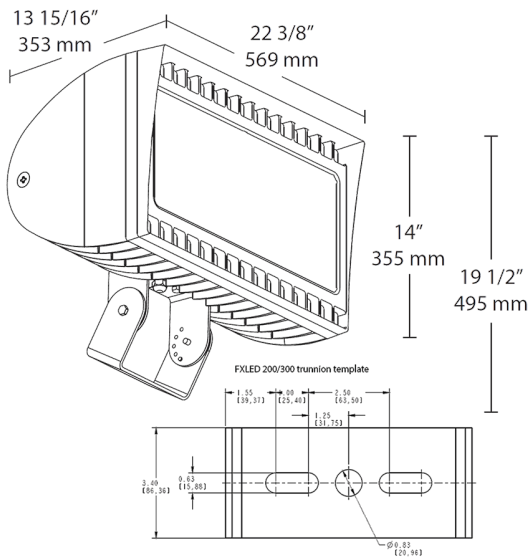
Warranty:

RAB warrants that our LED products will be free from defects in materials and workmanship for a period of five (5) years from the date of delivery to the end user, including coverage of light output, color stability, driver performance and fixture finish.

Buy American Act Compliance:

RAB values USA manufacturing! Upon request, RAB may be able to manufacture this product to be compliant with the Buy American Act (BAA). Please contact customer service to request a quote for the product to be made BAA compliant.

Dimensions



Features

- 500W replaces 1500W MH floodlights
- 100,000-hour LED lifespan
- 5-year No Compromise Warranty

Ordering Matrix

| Family | Wattage | Mounting | Color Temp | Beam Option | Finish | Voltage | Driver | Options |
|--------|------------|---------------------------------|---|---|-----------------------------|---------------------------------|---------------------------------|---|
| FXLED | 500 | T | Y | B33 | | /480 | /D10 | /SP |
| | 500 = 500W | SF = Slipfitter T = Trunnion | Blank = 5000K (Cool) N = 4000K (Neutral) Y = 3000K (Warm) | Blank = 7H x 6V B64 = 6H x 4V B55 = 5H x 5V B46 = 4H x 6V B33 = 3H x 3V | Blank = Bronze W = White | Blank = 120-277V /480 = 480V | /D10 = 0-10V Dimming (standard) | Blank = No Option /PCS = 120V Swivel Photocell /PCS2 = 277V Swivel Photocell /PCS4 = 480V Swivel Photocell /PCT = 120-277V 3PIN Twistlock Photocell /PCT4 = 480V 3PIN Twistlock Photocell /SP = 10KV Surge Suppressor /LC = Lightcloud® Controller (120-277V only) /BL = Bi-Level (120-277V only) |