

Color: Bronze

Weight: 20.9 lbs

<b>Project:</b>	<b>Type:</b>
<b>Prepared By:</b>	<b>Date:</b>

Driver Info		LED Info	
Type	Constant Current	Watts	150W
120V	N/A	Color Temp	5000K (Cool)
208V	N/A	Color Accuracy	72 CRI
240V	N/A	L70 Lifespan	100,000
277V	N/A	Lumens	21,105
Input Watts	158.4W	Efficacy	133.2 lm/W

## Technical Specifications

**Listings**

---

**UL Listed:**  
Suitable for wet locations. Suitable for mounting within 1.2m (4ft) of the ground.

**IESNA LM-79 & IESNA LM-80 Testing:**  
RAB LED luminaires and LED components have been tested by an independent laboratory in accordance with IESNA LM-79 and LM-80.

**LED Characteristics**

---

**Lifespan:**  
100,000-hour LED lifespan based on IES LM-80 results and TM-21 calculations

**LEDs:**  
Long-life, high-efficacy, surface-mount LEDs

**Color Stability:**  
LED color temperature is warranted to shift no more than 200K in color temperature over a 5-year period

**Color Uniformity:**  
RAB's range of Correlated Color Temperature follows the guidelines of the American National Standard for Specifications for the Chromaticity of Solid State Lighting (SSL) Products, ANSI C78.377-2017.

**Electrical**

---

**Driver:**  
Constant Current, Class 2, 480V, 50/60 Hz, 480V: 0.34A

**THD:**  
9.38% at 480V

**Power Factor:**  
96.2% at 480V

**Note:**  
All values are typical (tolerance +/- 10%)

**7-Pin Receptacle with Shorting Cap:**  
ANSI C136.41 7-pin receptacle, compatible with wireless control systems

**Construction**

---

**IP Rating:**  
Ingress Protection rating of IP66 for dust and water

**EPA:**  
2

**Ambient Temperature:**  
Suitable for -40°C (-40°F) to 40°C (104°F)

## Technical Specifications (continued)

### Construction

#### Lens:

Tempered glass lens included

#### Housing:

Die-cast aluminum housing and door frame

#### Mounting:

Heavy-duty Trunnion mount with stainless steel hardware

### Finish:

Formulated for high durability and long-lasting color

### Other

#### Equivalency:

Equivalent to 400W Metal Halide

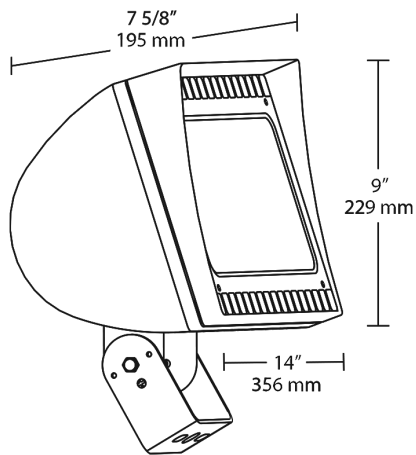
#### Warranty:

RAB warrants that our LED products will be free from defects in materials and workmanship for a period of five (5) years from the date of delivery to the end user, including coverage of light output, color stability, driver performance and fixture finish. RAB's warranty is subject to all terms and conditions found at [rablighting.com/warranty](http://rablighting.com/warranty).

### Buy American Act Compliance:

RAB values USA manufacturing! Upon request, RAB may be able to manufacture this product to be compliant with the Buy American Act (BAA). Please contact customer service to request a quote for the product to be made BAA compliant.

## Dimensions



## Features

- 66% energy cost savings vs. HID
- NEMA Type - 6H x 6V
- "Air-Flow" technology heat dissipation
- 100,000-hour LED lifespan
- 5-Year, No-Compromise Warranty