



<b>Project:</b>	<b>Type:</b>
<b>Prepared By:</b>	<b>Date:</b>

<b>Driver Info</b>		<b>LED Info</b>	
Type:	Constant Current	Watts:	50W
120V:	0.43A	Color Temp:	3500K
208V:	0.24A	Color Accuracy:	82 CRI
240V:	0.22A	L70 Lifespan:	60000
277V:	0.20A	Lumens:	5,792
Input Watts:	50W	Efficacy:	116 LPW
Efficiency:	N/A		

## Technical Specifications

### Lightcloud

#### Lightcloud Installed:

Lightcloud is a commercial wireless lighting control system and service fully developed and supported by RAB. It's powerful and flexible, yet easy to use and install.

### Listings

#### UL Listing:

Suitable for damp locations

#### DLC Listed:

This product is on the Design Lights Consortium (DLC) Qualified Products List and is eligible for rebates from DLC Member Utilities.  
DLC Product Code: PGCBFWGM

#### IESNA LM-79 & LM-80 Testing:

RAB LED luminaires have been tested by an independent laboratory in accordance with IESNA LM-79 and LM-80, and have received the Department of Energy "Lighting Facts" label.

### LED Characteristics

#### Lifespan:

60,000-hour LED lifespan based on IES LM-80 results and TM-21 calculations.

#### LEDs:

Long-life, High efficiency, micro-power, surface mount LEDs; binned and mixed for uniform light output and color.

#### Color Consistency:

3-step MacAdam Ellipse binning to achieve consistent fixture-to-fixture color.

### Electrical

#### Driver:

100-277V, 50/60Hz, THD <15%, Power Factor > 90%, Surge Protection 1 kV

#### Dimming Driver:

Driver includes dimming control wiring for 0-10V dimming systems. Requires separate 0-10V DC dimming circuit. Dims as low as 10%.

#### THD:

6.9% at 120V, 13.6% at 277V

#### Power Factor:

99.1% at 120V, 90.4% at 277V

### Construction

#### Maximum Ambient Temperature:

Suitable for use in 40°C (104°F) ambient temperatures

#### IC Rating:

Suitable for insulated ceilings

#### Lens:

Frosted polystyrene

### Cold Weather Starting:

The minimum starting temperature is -4°F/-20°C.

### Mounting:

Recessed ceiling

### Housing:

Lightweight aluminum housing, steel pan and junction box

### Installation:

Standard integral T-bar clips secure the fixture to T-bars and prevent T-system separation.

### Finish:

Our environmentally friendly polyester powder coatings are formulated for high-durability and long-lasting color, and contains no VOC or toxic heavy metals.

### Green Technology:

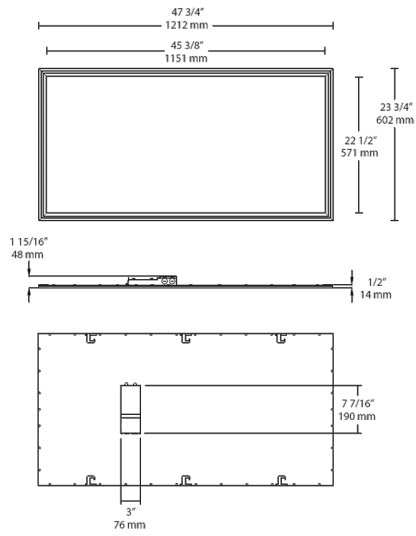
Mercury and UV free. RoHS compliant components. Polyester powder coat finish formulated without the use of VOC or toxic heavy metals.

### Other

#### Warranty:

RAB warrants that our LED products will be free from defects in materials and workmanship for a period of five (5) years from the date of delivery to the end user, including coverage of light output, color stability, driver performance and fixture finish.

## Dimensions



## Features

Perfect for shallow plenums

Even and diffuse ambient illumination, ideal for spaces where glare-free lighting is required

0-10V dimmable driver, standard