



2' x 4' EZPAN edgelit LED panel lights with emergency battery Backup that will operate the LED Lamp for 90 minutes if power fails. For use in drop ceilings or drywall using the optional recessed mounting kit.

Color: White

Weight: 26.4 lbs

Project:

Type:

Prepared By:

Date:

#### Driver Info

Type:	Constant Current
120V:	0.33A
208V:	0.21A
240V:	0.19A
277V:	0.16A
Input Watts:	39W
Efficiency:	N/A

#### LED Info

Watts:	40W
Color Temp:	4000K
Color Accuracy:	81 CRI
L70 Lifespan:	60000
Lumens:	4,286
Efficacy:	109 LPW

## Technical Specifications

### Listings

#### UL Listing:

Suitable for damp locations

#### DLC Listed:

This product is on the Design Lights Consortium (DLC) Qualified Products List and is eligible for rebates from DLC Member Utilities.

DLC Product Code: P76QGDBU

#### IESNA LM-79 & LM-80 Testing:

RAB LED luminaires have been tested by an independent laboratory in accordance with IESNA LM-79 and LM-80, and have received the Department of Energy "Lighting Facts" label.

### LED Characteristics

#### Lifespan:

60,000-hour LED lifespan based on IES LM-80 results and TM-21 calculations.

#### LEDs:

Long-life, High efficiency, micro-power, surface mount LEDs; binned and mixed for uniform light output and color.

#### Color Consistency:

3-step MacAdam Ellipse binning to achieve consistent fixture-to-fixture color.

### Electrical

#### Driver:

100-277V, 50/60Hz, THD <15%, Power Factor > 90%, Surge Protection 1 kV, 120V: 0.33A, 208V: 0.21A, 240V: 0.19A, 277V: 0.16A

#### Dimming Driver:

Driver includes dimming control wiring for 0-10V dimming systems. Requires separate 0-10V DC dimming circuit. Dims as low as 10%.

#### Emergency Battery Backup:

Emergency battery backup will operate the fixture for 90 minutes if power fails. Wired for 120-277V.

#### THD:

5.6% at 120V, 14.4% at 277V

### Construction

#### Maximum Ambient Temperature:

Suitable for use in 40°C (104°F) ambient temperatures

#### IC Rating:

Suitable for insulated ceilings

#### Lens:

Frosted polystyrene

#### Cold Weather Starting:

The minimum starting temperature is -4°F/-20°C.

#### Mounting:

Recessed ceiling

#### Housing:

Lightweight aluminum housing, steel pan and junction box

#### Installation:

Standard integral T-bar clips secure the fixture to T-bars and prevent T-system separation.

#### Finish:

Our environmentally friendly polyester powder coatings are formulated for high-durability and long-lasting color, and contains no VOC or toxic heavy metals.

### Green Technology:

Mercury and UV free. RoHS compliant components. Polyester powder coat finish formulated without the use of VOC or toxic heavy metals.

### Other

#### Country of Origin:

Designed by RAB in New Jersey and assembled in the USA by RAB's IBEW Local 3 workers.

#### Buy American Act Compliant:

This product is a COTS item manufactured in the United States, and is compliant with the Buy American Act.

#### Recovery Act (ARRA) Compliant:

This product complies with the 52.225-21 "Required Use of American Iron, Steel, and Manufactured Goods-- Buy American Act-- Construction Materials (October 2010).

#### Trade Agreements Act Compliant:

This product is a COTS item manufactured in the United States, and is compliant with the Trade Agreements Act.

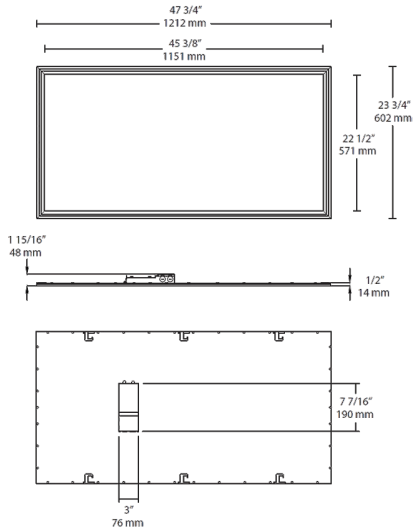
#### GSA Schedule:

Suitable in accordance with FAR Subpart 25.4.

#### Warranty:

RAB warrants that our LED products will be free from defects in materials and workmanship for a period of five (5) years from the date of delivery to the end user, including coverage of light output, color stability, driver performance and fixture finish.

## Dimensions



## Features

Perfect for shallow plenums

Even and diffuse ambient illumination, ideal for spaces where glare-free lighting is required

0-10V dimmable driver, standard

## Ordering Matrix

Family	Size	Watts	Color Temp	Dimming	Battery Backup
EZPAN	2X4	40	N	/D10	/E2
	2X4 = 2' x 4'	40 = 40W 50 = 50W	Y = 3000K (Warm) YN = 3500K (Warm Neutral) N = 4000K (Neutral) Blank = 5000K (Cool)	/D10 = Dimmable	/E2 = 120-277V Battery Backup