

product

Explosionproof junction box for wiring with cover tap it allows pendant fixture hanging.

Color: N/A

Weight: 3.1 lbs

Project:

Type:

Prepared By:

Date:

**Technical Specifications**

**Construction**

**Box Construction:**

Heavy wall castings. Precision machined surfaces. Four 1/4-20 screws fasten top to box.

**Box Capacity:**

20 cubic inches.

**Finish:**

Polyester powder coating.

**Hub Size:**

1/2" side hubs, 4 hole position.

**Cover Tap:**

1/2".

**Electrical**

**Close-up Plugs:**

Aluminum slotted plugs with 6 full threads. One provided for each box hole.

**Other**

**Country of Origin:**

Designed by RAB in New Jersey and assembled in the USA by RAB's IBEW Local 3 workers.

**Buy American Act Compliant:**

This product is a COTS item manufactured in the United States, and is compliant with the Buy American Act.

**Recovery Act (ARRA) Compliant:**

This product complies with the 52.225-21 "Required Use of American Iron, Steel, and Manufactured Goods-- Buy American Act-- Construction Materials (October 2010).

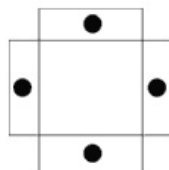
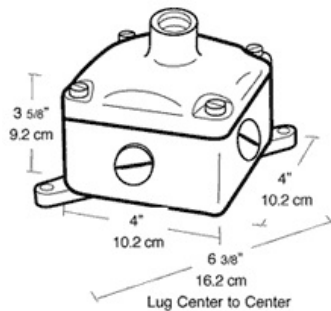
**Trade Agreements Act Compliant:**

This product is a COTS item manufactured in the United States, and is compliant with the Trade Agreements Act.

**GSA Schedule:**

Suitable in accordance with FAR Subpart 25.4.

**Dimensions**



**Features**

- Accessory reflectors and exit signs available
- Cast aluminum junction box also serves as a hanger box for pendant fixtures
- Heavy gauge die formed aluminum
- Reflectors with white polyester powder finish