

product

Explosionproof junction box for wiring with cover tap it allows pendant fixture hanging.

Color: N/A

Weight: 3.0 lbs

**Project:**

**Type:**

**Prepared By:**

**Date:**

## Technical Specifications

### Construction

#### Box Construction:

Heavy wall castings. Precision machined surfaces. Four 1/4-20 screws fasten top to box.

#### Box Capacity:

20 cubic inches.

#### Finish:

Polyester powder coating.

#### Hub Size:

3/4" side hubs, 4 hole position.

#### Cover Tap:

1/2".

### Electrical

#### Close-up Plugs:

Aluminum slotted plugs with 6 full threads. One provided for each box hole.

#### Other

#### Country of Origin:

Designed by RAB in New Jersey and assembled in the USA by RAB's IBEW Local 3 workers.

#### Buy American Act Compliant:

This product is a COTS item manufactured in the United States, and is compliant with the Buy American Act.

#### Recovery Act (ARRA) Compliant:

This product complies with the 52.225-21 "Required Use of American Iron, Steel, and Manufactured Goods-- Buy American Act-- Construction Materials (October 2010).

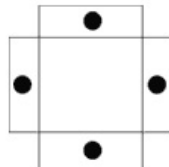
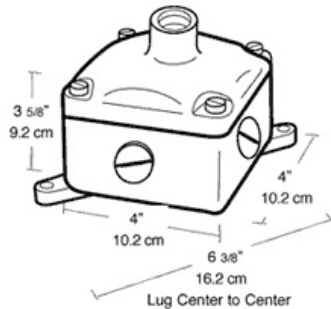
#### Trade Agreements Act Compliant:

This product is a COTS item manufactured in the United States, and is compliant with the Trade Agreements Act.

#### GSA Schedule:

Suitable in accordance with FAR Subpart 25.4.

## Dimensions



## Features

Accessory reflectors and exit signs available

Cast aluminum junction box also serves as a hanger box for pendant fixtures

Heavy gauge die formed aluminum

Reflectors with white polyester powder finish