



LED retrofit downlights are perfect for updating existing recessed lighting without changing the fixture. Equivalent to 90W Par.

Color: White

Weight: 1.4 lbs

Project:

Type:

Prepared By:

Date:

Driver Info

| | |
|--------------|------------------|
| Type: | Constant Current |
| 120V: | 0.08A |
| 208V: | N/A |
| 240V: | N/A |
| 277V: | N/A |
| Input Watts: | 9W |
| Efficiency: | 93% |

LED Info

| | |
|-----------------|--------|
| Watts: | 8W |
| Color Temp: | 2700K |
| Color Accuracy: | 84 CRI |
| L70 Lifespan: | 100000 |
| Lumens: | 539 |
| Efficacy: | 63 LPW |

Technical Specifications

Listings

UL Listed:

Suitable for damp locations.

ENERGY STAR® V2.0:

This product is ENERGY STAR® V2.0 qualified.

IESNA LM-79 & LM-80 Testing:

RAB LED luminaires have been tested by an independent laboratory in accordance with IESNA LM-79 and LM-80, and have received the Department of Energy "Lighting Facts" label.

Electrical

Driver:

Innovative integrated driver technology with 120V TRIAC and ELV dimming.

Surge Protection:

2.5KV

Optical

Spacing Criteria:

0-180° (along): 1.12

Construction

Lens:

Polycarbonate diffusion lens for smooth light output.

Compatibility:

Low-profile design for maximum compatibility with 6" incandescent recessed downlight housings.

Ambient Temperature:

Suitable for use in 40°C ambient temperatures.

Cold Weather Starting:

The minimum starting temperature is -22°F/-30°C.

Housing:

Professional-grade, die-cast aluminum construction.

Adapters:

Edison E26 medium base adapter included. GU24 socket adapter sold separately.

Installation:

Pre-installed Torsion springs and optional friction clips are both included to aid in attaching and securing the 6" DLED to the incandescent housing.

Finish:

Our environmentally friendly polyester powder coatings are formulated for high-durability and long-lasting color, and contains no VOC or toxic heavy metals.

Green Technology:

Mercury and UV free. RoHS compliant components. Polyester powder coat finish formulated without the use of VOC or toxic heavy metals.

LED Characteristics

Lifespan:

100,000-hour LED lifespan based on IES LM-80 results and TM-21 calculations.

LEDs:

High-output, long-life LEDs with 3 step binning and integrated driver technology.

Color Consistency:

3-step MacAdam Ellipse binning to achieve consistent fixture-to-fixture color.

Other

Equivalency:

8W replaces 50W Par.

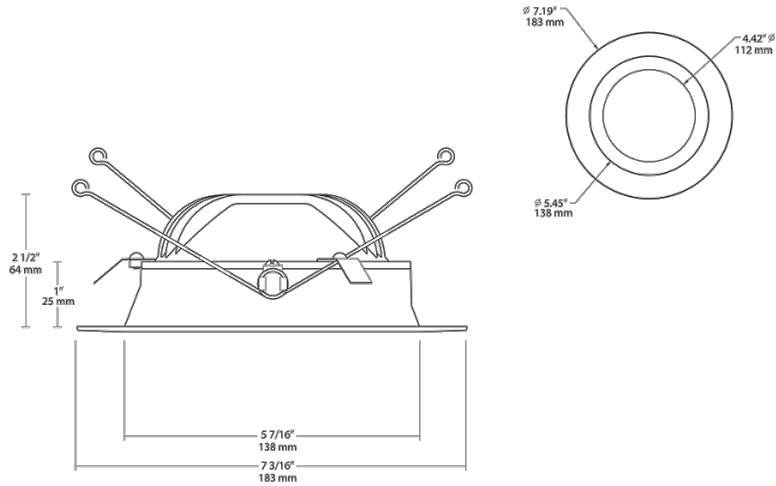
California Title 24:

DLED6R8 complies with 2013 California Title 24 building and electrical codes as a commercial indoor fixture for general spaces when used with a vacancy sensor and TRIAC dimming control. Select a vacancy sensor using catalog number LVS800. TRIAC dimmer provided by others.

Warranty:

RAB warrants that our LED products will be free from defects in materials and workmanship for a period of ten (10) years from the date of delivery to the end user, including coverage of light output, color stability, driver performance and fixture finish.

Dimensions

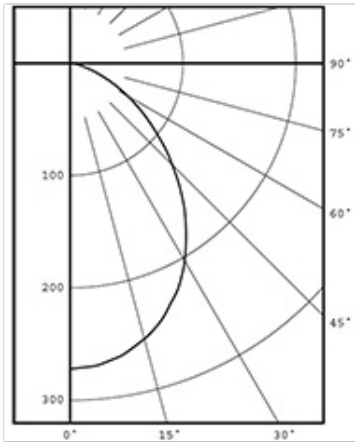


Features

- Low-profile enables compatibility with 6" housings
- UL Listed for damp locations
- Triac & ELV dimmable
- 10 year warranty

Photometrics

candlepower distribution

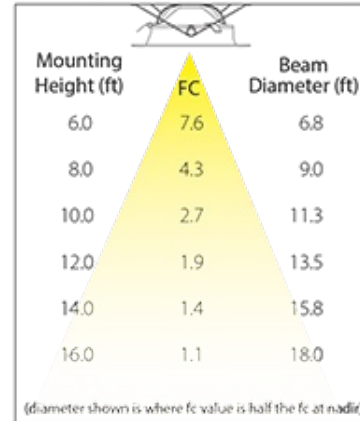


candela distribution

| vertical deg. | candelas |
|---------------|----------|
| 0 | 272 |
| 5 | 270 |
| 15 | 254 |
| 25 | 224 |
| 35 | 179 |
| 45 | 128 |
| 55 | 80 |
| 65 | 40 |
| 75 | 12 |
| 85 | 3 |
| 90 | 0 |

LUMENS PER WATT: 62.5

cone of light



zonal lumen summary

| zone | lumens | % fix. |
|--------|--------|--------|
| 0-30 | 200 | 37.1 |
| 0-40 | 312 | 57.8 |
| 0-60 | 482 | 89.5 |
| 0-90 | 539 | 100.0 |
| 90-180 | 0 | 0.0 |
| 0-180 | 539 | 100.0 |

luminance (candela/M²)

| degrees | avg. luminance |
|---------|----------------|
| 45 | 12083 |
| 55 | 9310 |
| 65 | 6318 |
| 75 | 3095 |
| 85 | 2298 |

Ordering Matrix

| Family | Size | Shape | Watts | Color Temp | Type |
|--------|--------|-----------|--------------------|--|--|
| DLED | 6 = 6" | R = Round | 8 = 8W 12 = 12W | YY = 2700K (Residential Warm) Y = 3000K (Warm) YN = 3500K (Warm Neutral) | Blank = Without Baffle /BAF = With Baffle |