



Now, more is less. Economical retrofit downlights with more to offer. Available in standard or adjustable heads.

Color: White

Weight: 1.0 lbs

Project:

Type:

Prepared By:

Date:

Driver Info

Type: Constant Current
 120V: 0.104A
 208V: N/A
 240V: N/A
 277V: N/A
 Input Watts: 13W
 Efficiency: N/A

LED Info

Watts: 14W
 Color Temp: 3000K
 Color Accuracy: 89 CRI
 L70 Lifespan: 100000
 Lumens: 887
 Efficacy: 70 LPW

Technical Specifications

Listings

UL Listing:

Suitable for damp locations

ENERGY STAR® V2.0:

This product is ENERGY STAR® Version 2.0 Certified.

IESNA LM-79 & IESNA LM-80 Testing:

RAB LED luminaires have been tested by an independent laboratory in accordance with IESNA LM-79 and 80, and have received the Department of Energy "Lighting Facts" label.

Electrical

Driver:

Constant Current, Class 2, 50/60 Hz, 120V: 0.104A

Dimming:

TRIAC, ELV and 0-10V dimming compatibility.

THD:

11.64% at 120V

Power Factor:

99.4% at 120V

LED Characteristics

LEDs:

Multi-chip, high-output, long-life LEDs

Lifespan:

50,000-hour LED lifespan based on IES LM-80 results and TM-21 calculations.

Construction

Housing:

Precision, die-cast aluminum

Installation:

Torsion springs for secure installation

Socket Adapter:

Edison 26 Medium Base Socket adapter

Lens:

Frosted acrylic lens

Finish:

Chip and fade resistant polyester powder coat finish

Green Technology:

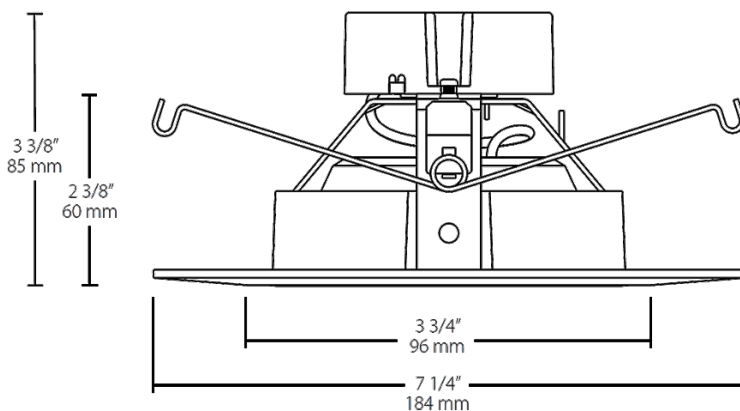
Mercury and UV free. RoHS compliant components.

Other

Warranty:

RAB warrants that our LED products will be free from defects in materials and workmanship for a period of five (5) years from the date of delivery to the end user, including coverage of light output, color stability, driver performance and fixture finish.

Dimensions



Features

Superior thermal management with heat-dissipating fins

Specification-grade 90 CRI standard

Edison E26 Medium Base socket adapter included

5 year no compromise warranty

Ordering Matrix

Family	Color Temp	Size	Type	Shape	Watts
DLED	DLED	6	A	R	14
	Y = 3000K (Warm) YY = 2700K (Residential Warm) YN = 3500K (Warm Neutral)	4 = 4" 6 = 6"	Blank = Standard A = Adjustable (11W in 4" & 14W in 6" only)	R = Round	9 = 9W 11 = 11W 14 = 14W