



LED retrofit downlights are perfect for updating existing recessed lighting without changing the fixture. Equivalent to 50W Par.

Color: White

Weight: 0.9 lbs

Project:	Type:
Prepared By:	Date:

Driver Info		LED Info	
Type:	Constant Current	Watts:	8W
120V:	0.08A	Color Temp:	2700K
208V:	N/A	Color Accuracy:	84 CRI
240V:	N/A	L70 Lifespan:	100000
277V:	N/A	Lumens:	488
Input Watts:	9W	Efficacy:	56 LPW
Efficiency:	92%		

Technical Specifications

Listings

UL Listed:

Suitable for damp locations.

ENERGY STAR® V2.0:

This product is ENERGY STAR® V2.0 qualified.

IESNA LM-79 & LM-80 Testing:

RAB LED luminaires have been tested by an independent laboratory in accordance with IESNA LM-79 and LM-80, and have received the Department of Energy "Lighting Facts" label.

Electrical

Driver:

Innovative integrated driver technology with 120V TRIAC and ELV dimming.

Surge Protection:

2.5KV

Optical

Spacing Criteria:

0-180° (along): 1.12

Construction

Lens:

Polycarbonate diffusion lens for smooth light output.

Compatibility:

Low-profile design for maximum compatibility with many 4" incandescent recessed downlight housings.

Ambient Temperature:

Suitable for use in 40°C ambient temperatures.

Cold Weather Starting:

The minimum starting temperature is -22°F/-30°C.

Housing:

Professional-grade, die-cast aluminum construction; cast-in grooves.

Adapters:

Edison E26 medium base adapter included. GU24 socket adapter sold separately.

Installation:

Pre-installed friction clips are included to aid in attaching and securing the 4" DLED to the incandescent housing.

Finish:

Our environmentally friendly polyester powder coatings are formulated for high-durability and long-lasting color, and contains no VOC or toxic heavy metals.

Green Technology:

Mercury and UV free. RoHS compliant components. Polyester powder coat finish formulated without the use of VOC or toxic heavy metals.

LED Characteristics

Lifespan:

100,000-hour LED lifespan based on IES LM-80 results and TM-21 calculations.

LEDs:

High-output, long-life LEDs with 3 step binning and integrated driver technology.

Color Consistency:

3-step MacAdam Ellipse binning to achieve consistent fixture-to-fixture color.

Other

Equivalency:

8W replaces 50W Par.

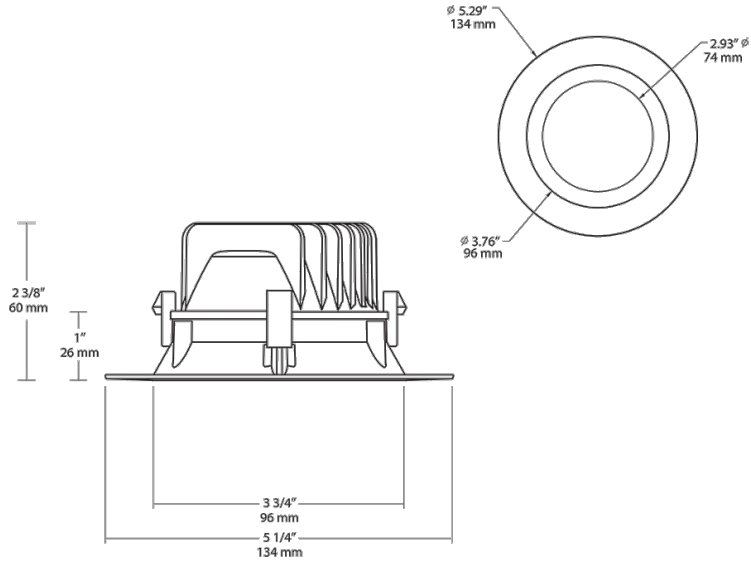
California Title 24:

DLED4R8 complies with 2013 California Title 24 building and electrical codes as a commercial indoor fixture for general spaces when used with a vacancy sensor and TRIAC dimming control. Select a vacancy sensor using catalog number LVS800. TRIAC dimmer provided by others.

Warranty:

RAB warrants that our LED products will be free from defects in materials and workmanship for a period of ten (10) years from the date of delivery to the end user, including coverage of light output, color stability, driver performance and fixture finish.

Dimensions

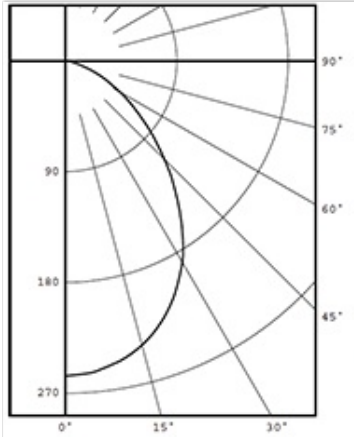


Features

- 8W replaces 50W PAR
- Energy savings is \$410 over 100,000 hours
- UL Listed for damp locations
- Triac & ELV dimmable
- Low-profile design ensures maximum compatibility with existing 4" housings
- 10 year warranty

Photometrics

candlepower distribution



candela distribution

vertical deg.	candelas
0	256
5	254
15	239
25	209
35	164
45	113
55	69
65	35
75	10
85	2
90	0

LUMENS PER WATT: 56.1

cone of light

Mounting Height (ft)	FC	Beam Diameter (ft)
6.0	7.1	6.7
8.0	4.0	8.9
10.0	2.6	11.2
12.0	1.8	13.4
14.0	1.3	15.6
16.0	1.0	17.9

(diameter shown is where fc value is half the fc at nadir)

zonal lumen summary

zone	lumens	% fix.
0- 30	187	38.4
0- 40	290	59.4
0- 60	439	90.0
0- 90	488	100.0
90-180	0	0.0
0-180	488	100.0

luminance (candela/M²)

degrees	avg. luminance
45	22427
55	16883
65	11623
75	5422
85	3220

Ordering Matrix

Family	Size	Shape	Watts	Color Temp	Type
DLED	4 = 4"	R = Round	8 = 8W	YY = 2700K (Residential Warm) Y = 3000K (Warm) YN = 3500K (Warm Neutral)	Blank = Without Baffle /BAF = With Baffle