



Color: Brushed nickel

Weight: 4.4 lbs

<b>Project:</b>	<b>Type:</b>
<b>Prepared By:</b>	<b>Date:</b>

Driver Info		LED Info	
Type	Constant Current	Watts	32W
120V	0.30A	Color Temp	2700/3000/3500/4000/5000K
208V	N/A	Color Accuracy	90 CRI
240V	N/A	L70 Lifespan	50,000 Hours
277V	N/A	Lumens	2,200
Input Watts	32W	Efficacy	68.8

**Technical Specifications**

**Performance**

**Product Type:**

Surface & Flush Mounts

**Input Wattage:**

32W

**Lumens (Nominal):**

2200lm

**Efficacy:**

68.8 lm/W

**L70 Lifespan:**

50,000-Hour LED lifespan based on IES LM-70 results

**R9 Value:**

High color performance with R9 greater than or equal to 50

**Compliance**

**UL Listed:**

Suitable for wet locations

**ENERGY STAR V2.2:**

This product is ENERGY STAR® Version 2.2 Certified.

**Energy Star ID:**

2389852

**Electrical**

**Dimming Driver:**

TRIAC compatible dimmer with dimming as low as 10%.

**THD:**

≤20%

**Power Factor:**

≥0.9

**Input Voltage:**

120V

**Operating Frequency:**

60Hz

## Technical Specifications (continued)

### Construction

#### Material:

Metal and Plastic

#### Trim Style:

Smooth Trim

#### Shape:

Round

#### Beam Angle:

130°

### Mounting:

Surface mount

### Operating Temperature:

-20°C (-4°F) to 40°C (104°F)

### Size:

18"

### Electrical Characteristics

#### Flicker:

≤30%

### Other

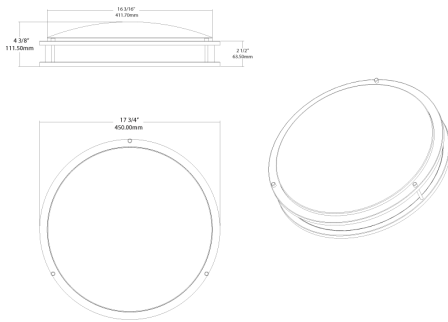
#### Warranty:

RAB warrants that our LED products will be free from defects in materials and workmanship for a period of five (5) years from the date of delivery to the end user, including coverage of light output, color stability, driver performance and fixture finish. RAB's warranty is subject to all terms and conditions found at [rablighting.com/warranty](http://rablighting.com/warranty).

#### Buy American Act Compliance:

RAB values USA manufacturing! Upon request, RAB may be able to manufacture this product to be compliant with the Buy American Act (BAA). Please contact customer service to request a quote for the product to be made BAA compliant.

## Dimensions



## Features

- Stylish surface mount fixture mounts directly to ceiling or wall junction box
- Field-adjustable "set and forget" color temperature
- Diffuse lens provides soft, smooth light
- Durable construction protects against breakage
- Ideal for hospitality and multi-family residential applications
- Suitable for wet locations

## Ordering Matrix

Family	Type	Size	Shape	Wattage	CRI/Color Temp	Voltage	Finish	Sensor
CRVFA	D	18	R	32	9CCT	120	BN	
	S = Smooth D = Decorative	11 = 11" 12 = 12" 14 = 14" 18 = 18" 19 = 19"	R = Round	16 = 16W 20 = 20W 32 = 32W	9CCT = 90 CRI, CCT Selectable	120 = 120V UNV = 120-277V	W = White BN = Brushed Nickel	Blank = No Sensor /MVS = Microwave Occupancy Sensor