



LED ceiling light with precision optics deliver smooth and uniform distribution. Ideal for retail settings, workspace lighting and other applications requiring a high output commercial grade downlight.

Color: White

Weight: 18.0 lbs

**Project:**

**Type:**

**Prepared By:**

**Date:**

### Driver Info

Type:	Constant Current
120V:	0.78A
208V:	0.51A
240V:	0.45A
277V:	0.39A
Input Watts:	91W
Efficiency:	85%

### LED Info

Watts:	78W
Color Temp:	3000K
Color Accuracy:	82 CRI
L70 Lifespan:	100000
Lumens:	6,251
Efficacy:	68 LPW

## Technical Specifications

### Electrical

#### Dimming Driver:

Driver includes dimming control for 0-10V dimming systems. Requires separate 0-10V DC dimming circuit. Dims as low as 5%.

#### Drivers:

3x26W Driver, Constant Current, Class 2, 100V-277V, 50/60 Hz, 6kv Surge Protection, 720mA, 100-277VAC 0.4 Amps., Power Factor 99.5%.

#### THD:

8.0% at 120V, 11.4% at 277V

### Listings

#### cUL Listing:

Suitable for Wet Locations. Covered Ceiling Mount Only.

#### Dark Sky Approved:

The International Dark Sky Association has approved this product as a full cutoff, fully shielded luminaire.

#### IESNA LM-79 & LM-80 Testing:

RC LED luminaires have been tested by an independent laboratory in accordance with IESNA LM-79 and LM-80, and have received the Department of Energy "Lighting Facts" label.

### Other

#### Lifespan:

100,000-hour LED lifespan based on IES LM-80 results and TM-21 calculations.

### Thermal Management:

Optimized using computational fluid dynamics software to ensure long LED and driver lifespan.

### Color Consistency:

3-step MacAdam Ellipse binning to achieve consistent fixture-to-fixture color.

### Patents:

The design of CLED78 is protected by patents pending in US, Canada, China, Taiwan and Mexico.

### LED Characteristics

#### LEDs:

6x13W high-output, long-life LEDs.

#### Color Stability:

LED color temperature is warranted to shift no more than 200K in CCT over a 5 year period.

#### Color Uniformity:

RC's range of CCT (Correlated Color Temperature) follows the guidelines of the American National Standard for Specifications for the Chromaticity of Solid State Lighting (SSL) Products, ANSI C78.377-2011.

### Construction

#### Ambient Temperature:

Suitable for use in 40°C (104°F) ambient temperatures.

### Cold Weather Starting:

Minimum starting temperature is -40°F/-40°C.

### Housing:

Precision die-cast aluminum housing and lens frame.

### Lens:

Clear tempered glass lens.

### Gaskets:

High-temperature silicone.

### Finish:

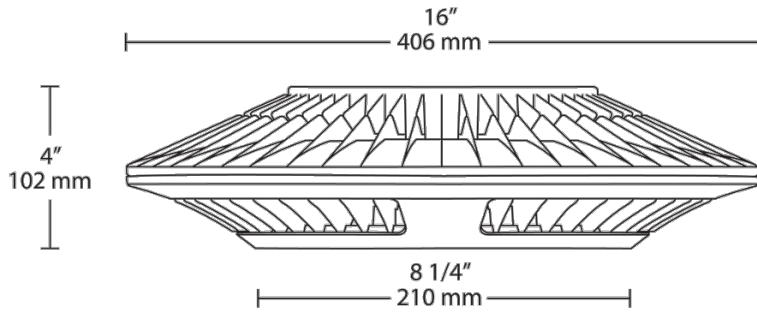
Our environmentally friendly polyester powder coatings are formulated for high-durability and long-lasting color, and contains no VOC or toxic heavy metals.

### Green Technology:

Mercury and UV free. RoHS compliant components. Polyester powder coat finish formulated without the use of VOC or toxic heavy metals.

# CLED78YW/D10

## Dimensions



## Features

- High output ceiling light
- Precision optics deliver uniform light distribution
- 100,000-hour LED lifespan
- 5-year warranty