



26 Watts of energy efficient ceiling mounted LED lighting. 100,000-hour LED lifespan. 5 year warranty. Flush mount fixture bracket. LED Light Engine included.

Color: Bronze

Weight: 6.6 lbs

| | |
|---------------------|--------------|
| Project: | Type: |
| Prepared By: | Date: |

| Driver Info | | LED Info | |
|--------------|------------------|-----------------|--------|
| Type: | Constant Current | Watts: | 26W |
| 120V: | N/A | Color Temp: | 3000K |
| 208V: | 0.6A | Color Accuracy: | 86 CRI |
| 240V: | 0.6A | L70 Lifespan: | 100000 |
| 277V: | 0.3A | Lumens: | 1,281 |
| Input Watts: | 31W | Efficacy: | 42 LPW |
| Efficiency: | 85% | | |

Technical Specifications

Other

CLED2X13 with Back Box:

Surface mounting box for CLED2X13.

Patents:

The design of the CLED is protected by U.S. Pat. D608,040, D615,689 . Canada Patent 821412 and patents pending in China, Taiwan and Mexico.

Warranty:

RAB warrants that our LED products will be free from defects in materials and workmanship for a period of five (5) years from the date of delivery to the end user, including coverage of light output, color stability, driver performance and fixture finish.

California Title 24:

CLED2X13BB/PCS2__complies with 2013 California Title 24 building and electrical codes as a commercial outdoor non-pole-mounted fixture___<___30 Watts.

Equivalency:

The CLED2X13 is Equivalent in delivered lumens to a 42W CFL or 70W Metal Halide Ceiling Fixture.

HID Replacement Range:

The CLED2X13 can be used to replace 70-100W Metal Halide Ceiling Lights based on delivered lumens.

Country of Origin:

Designed by RAB in New Jersey and assembled in the USA by RAB's IBEW Local 3 workers.

Buy American Act Compliant:

This product is a COTS item manufactured in the United States, and is compliant with the Buy American Act.

Recovery Act (ARRA) Compliant:

This product complies with the 52.225-21 "Required Use of American Iron, Steel, and Manufactured Goods-- Buy American Act-- Construction Materials (October 2010).

Trade Agreements Act Compliant:

This product is a COTS item manufactured in the United States, and is compliant with the Trade Agreements Act.

GSA Schedule:

Suitable in accordance with FAR Subpart 25.4.

Electrical

Photocell:

277V Swivel Photocell Included. Photocell is compatible with 208V-277V.

Driver:

Multi-chip 13W high output long life LED Driver Constant Current, Class 2 100V - 277V, 50/60 Hz.

THD:

12.16% at 120V

Surge Protection:

4kV

Listings

UL Listing:

Suitable for wet locations.

IESNA LM-79 & IESNA LM-80 Testing:

RAB LED luminaires have been tested by an independent laboratory in accordance with IESNA LM-79 and 80, and have received the Department of Energy "Lighting Facts" label.

LED Characteristics

Lifespan:

100,000-hour LED lifespan based on IES LM-80 results and TM-21 calculations.

Color Consistency:

3-step MacAdam Ellipse binning to achieve consistent fixture-to-fixture color.

Color Stability:

LED color temperature is warranted to shift no more than 200K in CCT over a 5 year period.

Color Uniformity:

RAB's range of CCT (Correlated Color Temperature) follows the guidelines of the American National Standard for Specifications for the Chromaticity of Solid State Lighting (SSL) Products, ANSI C78.377-2011.

Color Temperature (Nominal CCT):

3000K

Color Accuracy:

86 CRI

Construction

Thermal Management:

Cast aluminum Thermal Management system for optimal heat sinking. Designed for cool operation, most efficient output and maximum LED life by minimizing LED junction temperature.

Housing:

Precision die cast aluminum housing and lens framing.

Finish:

Our environmentally friendly polyester powder coatings are formulated for high-durability and long-lasting color, and contains no VOC or toxic heavy metals.

Technical Specifications (continued)

Construction

Green Technology:

Mercury and UV free. RoHS compliant components. Polyester powder coat finish formulated without the use of VOC or toxic heavy metals.

Mounting Accessory:

Surface mounting box

Cold Weather Starting:

The minimum starting temperature is -40°C/-40°F

Maximum Ambient Temperature:

Suitable for use in 40°C (104°F) ambient temperatures

Optical

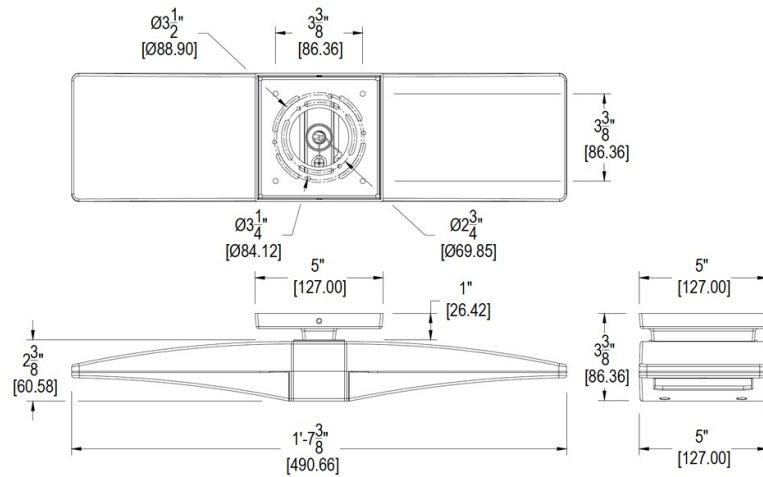
Lumen Maintenance:

The LED will deliver 70% of its initial lumens at 100,000 hours of operation.

Fixture Efficacy:

42 Lumens per Watt

Dimensions



Features

Flush mount fixture bracket

Die cast aluminum lens frame with tempered glass and double gasketing

Fully Shielded, Full Cutoff Optics

LED Light Engine life delivers 70% of rated lumens at 100,000 hours

Great for parking garages, canopies, stairwells and entrance ways

LM-70 and LM-80 tested

5-year warranty