



26 Watts of energy efficient ceiling mounted LED lighting. 100,000-hour LED lifespan. 5 year warranty. Flush mount fixture bracket. LED Light Engine included.

Color: White

Weight: 6.6 lbs

<b>Project:</b>	<b>Type:</b>
<b>Prepared By:</b>	<b>Date:</b>

Driver Info		LED Info	
Type:	Constant Current	Watts:	26W
120V:	N/A	Color Temp:	4000K
208V:	0.6A	Color Accuracy:	86 CRI
240V:	0.6A	L70 Lifespan:	100000
277V:	0.3A	Lumens:	1,340
Input Watts:	30W	Efficacy:	44 LPW
Efficiency:	86%		

## Technical Specifications

### Other

#### CLED2X13 with Back Box:

Surface mounting box for CLED2X13.

#### Patents:

The design of the CLED is protected by U.S. Pat. D608,040, D615,689 . Canada Patent 821412 and patents pending in China, Taiwan and Mexico.

#### Warranty:

RAB warrants that our LED products will be free from defects in materials and workmanship for a period of five (5) years from the date of delivery to the end user, including coverage of light output, color stability, driver performance and fixture finish.

#### California Title 24:

CLED2X13BB/PCS2\_\_complies with 2013 California Title 24 building and electrical codes as a commercial outdoor non-pole-mounted fixture\_\_\_<\_\_\_30 Watts.

#### Equivalency:

The CLED2X13N is Equivalent in delivered lumens to a 42W CFL or 70W Metal Halide Ceiling Fixture.

#### HID Replacement Range:

The CLED2X13N can be used to replace 70-100W Metal Halide Ceiling Lights based on delivered lumens.

#### Country of Origin:

Designed by RAB in New Jersey and assembled in the USA by RAB's IBEW Local 3 workers.

#### Buy American Act Compliant:

This product is a COTS item manufactured in the United States, and is compliant with the Buy American Act.

#### Recovery Act (ARRA) Compliant:

This product complies with the 52.225-21 "Required Use of American Iron, Steel, and Manufactured Goods-- Buy American Act-- Construction Materials (October 2010).

#### Trade Agreements Act Compliant:

This product is a COTS item manufactured in the United States, and is compliant with the Trade Agreements Act.

#### GSA Schedule:

Suitable in accordance with FAR Subpart 25.4.

#### Electrical

##### Photocell:

277V Swivel Photocell Included. Photocell is compatible with 208V-277V.

##### Driver:

Multi-chip 13W high output long life LED Driver Constant Current, Class 2 100V - 277V, 50/60 Hz.

##### Surge Protection:

4kV

#### Listings

##### UL Listing:

Suitable for wet locations.

##### IESNA LM-79 & IESNA LM-80 Testing:

RAB LED luminaires have been tested by an independent laboratory in accordance with IESNA LM-79 and 80, and have received the Department of Energy "Lighting Facts" label.

#### LED Characteristics

##### Lifespan:

100,000-hour LED lifespan based on IES LM-80 results and TM-21 calculations.

##### Color Consistency:

3-step MacAdam Ellipse binning to achieve consistent fixture-to-fixture color.

#### Color Stability:

LED color temperature is warranted to shift no more than 200K in CCT over a 5 year period.

#### Color Uniformity:

RAB's range of CCT (Correlated Color Temperature) follows the guidelines of the American National Standard for Specifications for the Chromaticity of Solid State Lighting (SSL) Products, ANSI C78.377-2011.

#### Color Temperature (Nominal CCT):

4000K

#### Color Accuracy:

86 CRI

#### Construction

##### Thermal Management:

Cast aluminum Thermal Management system for optimal heat sinking. Designed for cool operation, most efficient output and maximum LED life by minimizing LED junction temperature.

##### Housing:

Precision die cast aluminum housing and lens framing.

##### Finish:

Our environmentally friendly polyester powder coatings are formulated for high-durability and long-lasting color, and contains no VOC or toxic heavy metals.

##### Green Technology:

Mercury and UV free. RoHS compliant components. Polyester powder coat finish formulated without the use of VOC or toxic heavy metals.

## Technical Specifications (continued)

### Construction

#### Mounting Accessory:

Surface mounting box

#### Cold Weather Starting:

The minimum starting temperature is -40°C/-40°F

#### Maximum Ambient Temperature:

Suitable for use in 40°C (104°F) ambient temperatures

### Optical

#### Lumen Maintenance:

The LED will deliver 70% of its initial lumens at 100,000 hours of operation.

#### Fixture Efficacy:

68 Lumens per Watt

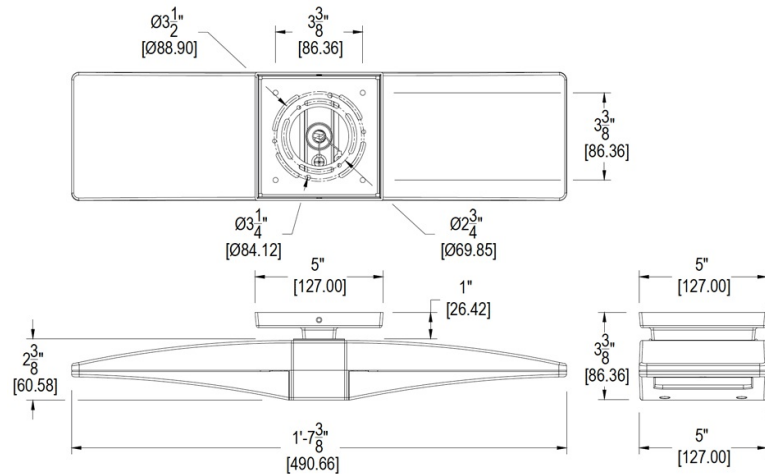
#### BUG Rating:

B1 U0 G0

#### BUG Rating:

B1 U0 G0

## Dimensions



## Features

Flush mount fixture bracket

Die cast aluminum lens frame with tempered glass and double gasketing

Fully Shielded, Full Cutoff Optics

LED Light Engine life delivers 70% of rated lumens at 100,000 hours

Great for parking garages, canopies, stairwells and entrance ways

LM-70 and LM-80 tested

5-year warranty