



Cylinders are a complete design solution. They are available in various sizes, mounting options, colors and beam angles, and suitable for indoor/outdoor use.

Color: Matte black

Weight: 5.1 lbs

Project:

Type:

Prepared By:

Date:

Driver Info

| | |
|-------------|------------------|
| Type | Constant Current |
| 120V | 0.18A |
| 208V | 0.11A |
| 240V | 0.10A |
| 277V | 0.09A |
| Input Watts | 19.90W |
| Efficiency | N/A |

LED Info

| | |
|----------------|--------------|
| Watts | 20W |
| Color Temp | 5000K (Cool) |
| Color Accuracy | 92 CRI |
| R9 | 68 |
| L70 Lifespan | 50,000 |
| Lumens | 1,843 |
| Efficacy | 92.6 LPW |

Technical Specifications

Listings

UL Listed:

Suitable for wet locations

IESNA LM-79 & IESNA LM-80 Testing:

RAB LED luminaires and LED components have been tested by an independent laboratory in accordance with IESNA LM-79 and LM-80.

Electrical

Driver:

Constant Current, Class 2, 120-277V, 50/60 Hz, 120V: 0.18A, 208V: 0.11A, 240V: 0.10A, 277V: 0.09A

Dimming Driver:

0 - 10V (at 120-277V), TRIAC and ELV (at 120V only)

THD:

12.1% at 120V, 21.9% at 277V

Power Factor:

98.5% at 120V, 88% at 277V

Optical

Optics:

50°

LED Characteristics

Lifespan:

50,000-hour LED lifespan based on IES LM-80 results and TM-21 calculations

LEDs:

Long-life, high-efficacy, surface-mount LEDs

Color Stability:

LED color temperature is warrantied to shift no more than 200K in CCT over a 5-year period

Construction

Cold Weather Starting:

The minimum starting temperature is -30°C (-22°F)

Maximum Ambient Temperature:

Suitable for use in 40°C (104°F)

Lens:

Solite Glass Lens and Microprismatic Diffusion Lens

Reflector:

Vacuum-metalized polycarbonate

Housing:

Extruded aluminum

Mounting:

Wall indirect light only

Gaskets:

High-temperature silicone

Green Technology:

Mercury and UV free. RoHS-compliant components.

Finish:

Formulated for high durability and long-lasting color

Other

Warranty:

RAB warrants that our LED products will be free from defects in materials and workmanship for a period of five (5) years from the date of delivery to the end user, including coverage of light output, color stability, driver performance and fixture finish. RAB's warranty is subject to all terms and conditions found at rablighting.com/warranty.

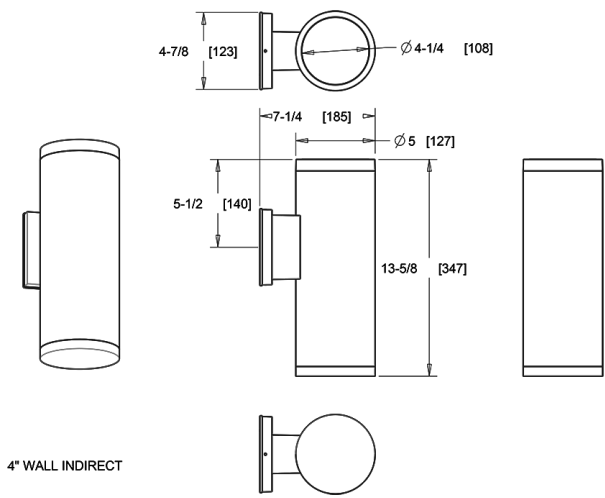
Technical Specifications (continued)

Other

Buy American Act Compliance:

RAB values USA manufacturing! Upon request, RAB may be able to manufacture this product to be compliant with the Buy American Act (BAA). Please contact customer service to request a quote for the product to be made BAA compliant.

Dimensions



Features

- Sleek, contemporary, architectural-grade design
- Universal dimming driver (TRIAC, ELV and 0-10V)
- 50,000-Hour LED lifespan

Ordering Matrix

| Family | Size | Mounting | Wattage | Optic | CRI/Color Temp | Finish |
|--------|--------|--|-----------|----------------|---------------------|------------------|
| CDLED | 4 | WU | 20W | 50D | 950 | K |
| | 2 = 2" | WD = Wall Direct (Downlight) Only | 10W = 10W | 20D = 20° | 927 = 90 CRI, 2700K | W = Matte White |
| | 4 = 4" | WU = Wall Indirect (Uplight) Only | 20W = 20W | 30D = 30° | 930 = 90 CRI, 3000K | K = Matte Black |
| | 6 = 6" | W = Wall Direct/Indirect (Downlight/Uplight) | 26W = 26W | 40D = 40° | 935 = 90 CRI, 3500K | S = Matte Silver |
| | | S = Surface (Ceiling Mount) | 40W = 40W | 50D = 50° | 940 = 90 CRI, 4000K | Z = Bronze |
| | | PC = Pendant Cord 48" Standard | | 80D = 80° | 950 = 90 CRI, 5000K | |
| | | PS = Pendant Stem | | WW = Wall Wash | | |