



Replace conventional BR40 halogen bulbs. Dimmable LED, 80 CRI.

Color: White

Weight: 0.3 lbs

Case Qty: 6

<b>Project:</b>	<b>Type:</b>
<b>Prepared By:</b>	<b>Date:</b>

Driver Info		LED Info	
Watts:	15W	Input Voltage:	120V
Color Temp:	5000K (Daylight)	Power Factor:	0.9
Lumens:	1,100	Flicker:	<30%
Efficacy:	73 LPW	THDi:	N/A
Color Accuracy:	80 CRI		
L70 Accuracy:	25,000		

## Technical Specifications

### Listings

**UL Listed:**

Yes

**FCC:**

Yes

**Rohs:**

Yes

**ENERGY STAR V2.0:**

This product is ENERGY STAR® Version 2.0 Certified

### Description

**Dimmable:**

Yes

**Lamp Type:**

Reflector

**Bulb Type:**

BR40

**Base Type:**

E26, Medium Screw Base

**Material:**

Plastic

### LED Characteristics

**Lifespan:**

25,000-hour LED lifespan based on IES LM-70 results

### Other

**Equivalent:**

85W Incandescent BR40

**Warranty:**

3 years

### Optical

**Beam Angle:**

110°

### Shipping Information

**Case Dimensions:**

15.75 x 10.63 x 6.97

**Pallet Quantity of Pieces:**

360

**Pallet Dimensions:**

47.24 x 37.01 x 41.81

### Construction

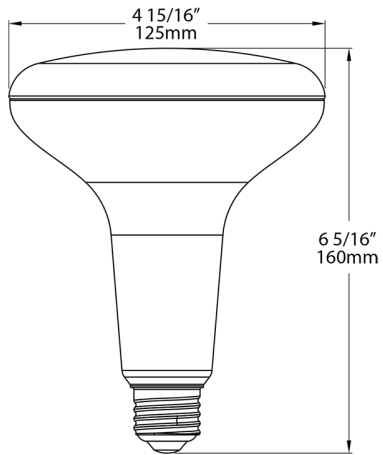
**MOL:**

6.3"

**MOD:**

4.92"

## Dimensions



## Features

- Reflectors replace incandescent and halogen BR reflector lamps
- Dimmable LED with a 25,000-hour lifespan
- Wide 110° beam angle is well suited for general lighting applications
- 80 and 90 CRI models available