

Economical linear high bay delivers versatility and ultra-high efficiency. Available in 8 wattages and three sizes, for mounting heights ranging from 15 to 60 feet. Patent pending, retractable design reduces volume by up to 60% to save valuable shelf and storage space.

Color: White

Weight: 22.0 lbs

| | |
|---------------------|--------------|
| Project: | Type: |
| Prepared By: | Date: |

| Driver Info | | LED Info | |
|-------------|------------------|----------------|-----------------|
| Type | Constant Current | Watts | 360.00W |
| 120V | 3.00A | Color Temp | 4000K (Neutral) |
| 208V | N/A | Color Accuracy | 83 CRI |
| 240V | N/A | L70 Lifespan | 100,000 |
| 277V | N/A | Lumens | 47,841 |
| Input Watts | 355.10W | Efficacy | 134.7 LPW |
| Efficiency | N/A | | |

Technical Specifications

Listings

UL Listed:

Suitable for damp locations

IESNA LM-79 & LM-80 Testing:

RAB LED luminaires and LED components have been tested by an independent laboratory in accordance with IESNA LM-79 and LM-80.

DLC Listed:

This product is listed by Design Lights Consortium (DLC) as an ultra-efficient premium product that qualifies for the highest tier of rebates from DLC Member Utilities. DLC Product Code: P8UXTIDP

LED Characteristics

Lifespan:

100,000-hour LED lifespan based on IES LM-80 results and TM-21 calculations

LEDs:

Multi-chip, high-output, long-life LEDs

Color Uniformity:

RAB's range of CCT (Correlated Color Temperature) follows the guidelines of the American National Standard for Specifications for the Chromaticity of Solid State Lighting (SSL) Products, ANSI C78.377-2017.

Construction

Operating Temperature:

-20°C (-4°F) - 50°C (122°F)

Housing:

22 gauge die formed with white powder coat finish. Y Hooks included for easy chain or cable mounting.

Reflector:

White painted, reflective, die formed painted steel

Lens:

Polycarbonate lens

Mounting:

V hooks and optional pendant mounting. AEROBAY® comes with two 42" chains.

Cord & Plug:

8 ft. cord and NEMA L5-15P straight blade plug for 120V only.

Finish:

Our environmentally friendly polyester powder coatings are formulated for high-durability and long-lasting color

Green Technology:

Mercury and UV free. RoHS-compliant components.

Electrical

Driver:

Class 2, Constant Current, 120-277V, 50/60 Hz, 120V: 3.00A, 208V: 1.73A, 240V: 1.48A, 277V: 1.34A

THD:

5.4% at 120V, 8.7% at 277V

Power Factor:

99.9% at 120V, 94.9% at 277V

Battery Backup:

Emergency battery backup will operate the fixture for 90 minutes if power fails. Wired for 120-277V.

Surge Protection:

2.5kV

For areas prone to surges, upgrade to 10kV surge protection available

Technical Specifications (continued)

Other

5 Yr Limited Warranty:

The RAB 5-year, limited warranty covers light output, driver performance and paint finish. RAB's warranty is subject to all terms and conditions found at rablighting.com/warranty.

Buy American Act Compliance:

RAB values USA manufacturing! Upon request, RAB may be able to manufacture this product to be compliant with the Buy American Act (BAA). Please contact customer service to request a quote for the product to be made BAA compliant.

Sensor Specifications

Passive Infrared Occupancy and Daylight Sensor:

PIR sensor with IR remote capability. High/Low bay passive infrared occupancy and daylight sensor.

UL Listed:

Indoor use only

Operating Temperature:

32°F to 158°F (0°C to 70°C)

Operating Humidity:

5% to 96%, noncondensing

Line Voltage:

Line Voltage for direct connection to load

Voltage:

120, 277, 347V, 60Hz or 230V, single phase, 50Hz operation

Power Consumption:

0.2W

Maximum Versatility:

Adjustable time delay and sensitivity
Adjustable hold-off daylighting level

Weight:

6.4 oz (181 g)

Hardware:

UL listed snap-in mounting hardware

Mounting:

Easy mounting using knockout at end of linear high bay luminaire

Lens:

Lens (attached) designed for mounting heights from 15 to 40 feet

Rotatable Mask:

Snap-on rotatable mask for aisleway applications (included)

Coverage:

Covers a 100-foot diameter area when mounted at height of 40 feet

Factory Default:

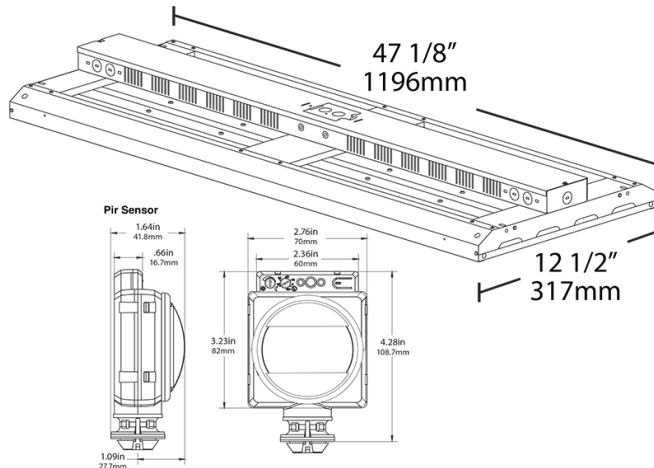
15 minutes time delay
Max sensitivity
300 footcandle light level

Handheld Wireless Configuration Tool:

Adjust settings using handheld wireless configuration tool. Only available with 0-10V dimming driver options. [Handheld wireless configuration tool available here.](#)

Dimensions

T
3 1/2"
88mm
⊥

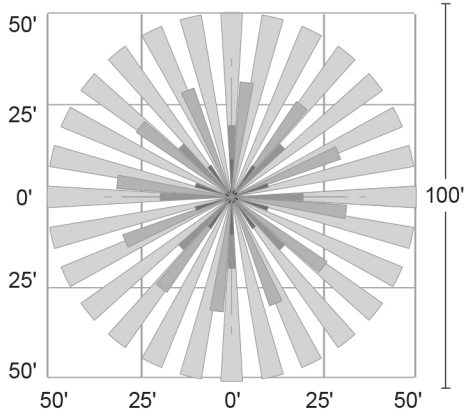


Features

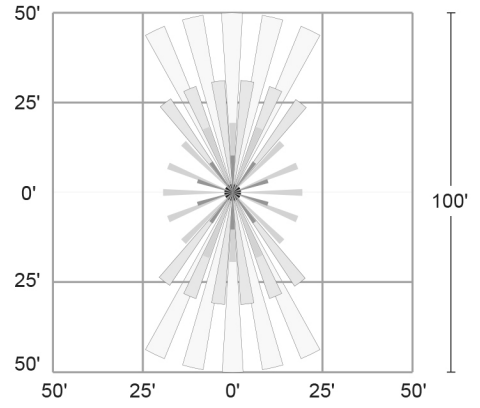
- High efficiency. Low price.
- Ideal for industrial warehouse spaces
- 100,000 hour LED lifespan
- 5-Year, Limited Warranty

Coverage Pattern

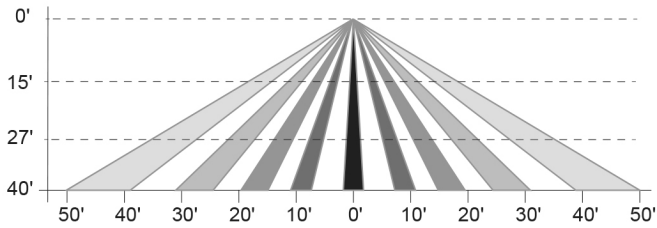
Coverage Pattern



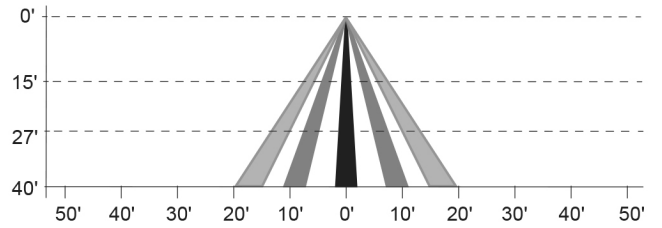
Top coverage pattern



Top coverage pattern with mask



Side coverage pattern



Side coverage pattern with mask

Ordering Matrix

| Family | Length | | Wattage | Color Temp | Voltage | Control Options | Emergency Options | Other Options |
|--------|-----------|---|--------------------------|---------------------------------------------|---------------------------------------------------------------|-------------------------------------------------------------------------------------------------------------------------------------------------------------|----------------------------------------------------------------------|-------------------------------------------------------------------------------------------------------------------------------------------------------------------------------------------------------------------------------------------------------------------------------------------------------------------------------------------------------------------------------------------------------------------------------------------|
| ARBAY | 4 | – | 360 | N | | /PIR | /E2 | /8CP |
| | 4 = 4 ft. | | 315 = 315W 360 = 360W | Blank = 5000K (Cool) N = 4000K (Neutral) | Blank = 120-277V, 0-10V Dimming /480 = 480V, 0-10V Dimming | Blank = No Options /PIR = 120-277V, Passive Infrared Occupancy Sensor /LC = 120-277V, Lightcloud Control /LCS = 120-277V, Lightcloud Motion Sensor | Blank = No Options /E2 = 120-277V, Emergency Battery ¹ | Blank = No Options /SP10 = 10kV Surge Protection /8C = 8' Cord only ² /8CP = 8' Cord, Straight Blade Plug 120V, NEMA 5-15P ³ /8CP2 = 8' Cord, Straight Blade Plug 277V, NEMA 7-15P ³ /8CPT = 8' Cord, Twistlock Plug 120V, NEMA L5-15P ³ /8CPT2 = 8' Cord, Twistlock Plug 277V, NEMA L7-15P ³ /8CPT4 = 8' Cord, Twistlock Plug 480V, NEMA L8-20P ³ |

¹ For battery backup models with cord and plug dimming is not possible

² For cord only (8C) models, a 5 conductor cable will be used to make dimming possible

³ For cord and plug (8CP, 8CP2, 8CPT, 8CPT2, 8CPT4) models 0-10V dimming is not possible